

**13. CUSTOMER PREMISES WIRE AND MAINTENANCE PLANS**

<b>SUBJECT</b>	<b>PAGE</b>	
Business Maintenance Plans.....	20	
Business <i>UNISTAR</i> Service .....	20	
Customer Premises Wire .....	1	
Network Premises Work Charges.....	14	
Premises Work Charges.....	5	
Residence Maintenance Plans.....	18	
Residence <i>LINE-BACKER</i> Service (a.k.a. Inside Wire Protection) .....	18	(T)
Trouble Isolation Charge .....	14	

### **13. CUSTOMER PREMISES WIRE AND MAINTENANCE PLANS**

#### **13.1 CUSTOMER PREMISES WIRE**

##### **A. Description**

Premises wire is wiring located within individual living units or business suites. Premises wire includes extension wiring between buildings on continuous property on the customer's side of the Network Interface. Premises wire does not include riser cable or interbuilding cable located between the Network Interface and the individual living unit or business suite.

All wiring must comply with Part 68 of the Federal Communication Commission's (47 CFR 68) Rules and Regulations and the National Electrical Code or Company-provided technical standards.

##### **B. Definitions**

###### Change

The change of premises wire at the request of the customer.

###### Complex Premises Wire

Wiring and jacks on a premises that is associated with customer-provided equipment such as Multiline Telephone Systems, PBX Systems, Multifunction Systems, LAN and data equipment (programmable, universal and fixed loop loss), etc.

###### Estimate

A broad statement of expected price, which is not necessarily the price the customer will be billed.

###### Firm Bid

A firm price, in writing, for a stated purpose and good for a limited time period. Quotations accepted by the customer will be billed at the stated price, regardless of the actual costs incurred by the Company.

###### Intra Premises Wire

Wiring located on the customer's side of the Network Interface, within the same building or between different buildings, on continuous property.

---

**13. CUSTOMER PREMISES WIRE AND MAINTENANCE PLANS**

**13.1 CUSTOMER PREMISES WIRE**

**B. Definitions (Cont'd)**

Minimum Point Of Presence (MPOP)

The Minimum Point of Presence is the location where the Company's protected network facilities end. The Network Interface/Demarcation point will be located at the MPOP.

Moves

A customer-requested move of premises wiring from one location to another on the same premises.

Network Interface

The Network Interface for the connection of customer premises wire consists of a standard registered jack and is provided as part of the exchange access line. The Network Interface will be installed on or near the customer's premises, at a location determined by the Company, which is accessible to the customer. The Network Interface is normally combined with, or in close proximity to, the protector or equivalent.

Noncomplex Premises Wire

Wiring and jacks on the customer's side of the Network Interface that does not terminate in customer-provided equipment described under Complex Premises Wire.

Rearrangement

Work required to remove and/or replace premises wiring and/or jacks in response to a customer's request for a relocation of premises wire.

Service Call

A premises visit by a Company employee or representative for the purpose of performing billable premises work requested by the customer or the customer's representative.

**13. CUSTOMER PREMISES WIRE AND MAINTENANCE PLANS**

**13.1 CUSTOMER PREMISES WIRE (Cont'd)**

C. Regulations

1. Premises wire may be installed and/or maintained by the Company or the customer. Where installation or maintenance is provided by the Company, rates and charges specified in this Catalog will apply.
2. Billable work performed on the network side of the Network Interface can be found elsewhere in this Catalog.
3. The customer or property owner must provide and maintain, or pay the expense of, rights-of-way, poles, attachments, conduits or other supporting structures required for the placing of premises wire.

D. Warranties For Installation and Repair of Premises Wire

1. Limited Thirty-Day Installation Warranty

a. Coverage

The Company warrants the premises wiring for a period of thirty days. If there is a defect or malfunction, the Company will, at it's option, either repair or replace this wiring at no charge to the customer. If replacement parts are used in making repairs, these parts may be refurbished or may contain refurbished materials.

b. Exclusions

- (1) The warranty shall not apply to defects and malfunctions resulting from any equipment or service furnished by any person other than the Company, any accident, alteration, abuse, misuse, fire, Acts of God, such as storms and floods, or any unauthorized repair.
- (2) The Company disclaims any and all implied warranties, including without limitation, warranties of merchantability and fitness for a particular purpose.
- (3) The Company shall not be liable for any incidental or consequential damages, including but not limited to loss, damage, or expense directly or indirectly arising from the customer's use of, or inability to use this wiring, either separately or in combination with other equipment.

**13. CUSTOMER PREMISES WIRE AND MAINTENANCE PLANS**

**13.1 CUSTOMER PREMISES WIRE**

D.1. (Cont'd)

c. Customer Responsibility

- (1) To obtain Company repair service, the customer must call the Company repair number which can be found in the telephone directory, or call any Company Business Office, collect.
- (2) When the repair person arrives and before any work is performed, the customer must present proof of the date the warranty commenced before any warranty work can be performed.

E. Responsibility of the Customer

1. Where the customer elects to install and/or maintain premises wire, such installation and/or maintenance must comply with Part 68 of the FCC Rules and Regulations and the National Electrical Code as well as any applicable local electrical codes or Company-provided technical standards.
2. Where customer premises wire is maintained by the customer, the customer is responsible for correcting any service difficulty upon notice from the Company that such wire is causing the difficulty.

F. Violation of Regulation

1. Where any customer-provided premises wire or associated jack has been installed or maintained in violation of Part 68 of the FCC's Rules and Regulations, National or applicable local Electrical codes or Company-provided technical standards, the Company will promptly notify the customer of the violation and will take such immediate action, including the temporary disconnection of premises wire, as is necessary for the protection of the telecommunications network and/or Company employees.
2. The customer shall discontinue use of the customer-provided premises wire and/or associated jacks or correct the violation and notify the Company in writing within 10 days after receipt of Company notice of violation that the violation has been corrected.

### 13. CUSTOMER PREMISES WIRE AND MAINTENANCE PLANS

#### 13.2 PREMISES WORK CHARGES

##### A. Description

Premises Work Charges are charges for work performed on the customer's side of the demarcation point by a Company employee or representative, at the customer's request, which are not covered by other charges. Chargeable time is labor which includes, but is not limited to, work preparation, actual work and cleanup. Material charges are the items required to fulfill the job requirements. Any work required to establish or reestablish network access on the network side of the demarcation point is excluded from Premises Work Charges.

Included in the Premises Work Charges category are Time and Material Charges, the Premises Visit Charge, the Flat Installation Charge and the Trouble Isolation Charge.

Time and Material Charges are charges applicable for repair work, rewiring and installations of complex wiring. Chargeable time is labor which includes, but is not limited to, work preparation, actual work and cleanup. Material charges are the items required to fulfill the job requirements.

##### B. Definitions

###### Initial Time and Material Charge

The first 30 minute increment or fraction thereof of billable premises work performed on the customers premises.

###### Additional Time and Material Charges

All 15 minute increments or fraction thereof beyond the first 30 minute increment of billable premises work performed on the customers premises.

###### Flat Installation Charge

A nonrecurring charge(s) which applies to noncomplex wire and jack installation.

###### Premises Visit Charge

A charge per premises visit or series of visits by a Company technician to the customer premises for the purpose of performing billable premises work requested by the customer or customer's representative.

13. CUSTOMER PREMISES WIRE AND MAINTENANCE PLANS

13.2 PREMISES WORK CHARGES

B. Definitions (Cont'd)

Trouble Isolation

A nonrecurring charge which applies when the Company **dispatches a technician to investigate a customer reported issue and determines the trouble is caused by customer wiring, equipment, or customer actions. The charge also applies when a customer requests or allows CenturyLink to dispatch a technician to investigate and the customer then does not allow access to the necessary in-home wiring and equipment or is not available to allow access. This charge is waived for customers who have inside wire protection, unless CenturyLink determines through remote testing that no trouble exists, and the customer insists on a dispatch. If no trouble is found, the charge applies whether or not the customer has inside wire protection.**

(T)

(T)

(T)

C. Regulations

1. Premises Work Charges are in addition to other applicable rates and charges.
2. Premises Work Charges apply to all customer-requested:
  - Installations, moves, changes, removals, rearrangements and replacements of premises wire, per premises visit.
  - Maintenance [1]
  - Repair visits for replacement or repair of customer inside wire <sup>[1]</sup>
  - Replacement of wire not installed in accordance with technical standards.
  - Prewiring
3. A Premises Visit Charge is in addition to all applicable Time and Material Charges except as specified.

[1] When the customer has previously subscribed to a Company Premises Wire Maintenance Plan, Time and Material Charges **and** Premises Visit Charge will not apply. **A Trouble Isolation Charge will also not apply except as otherwise Specified in Section 13.2.C.13.**

(T)

(T)

**13. CUSTOMER PREMISES WIRE AND MAINTENANCE PLANS**

**13.2 PREMISES WORK CHARGES**

C. Regulations (Cont'd)

4. The Flat Installation Charge is applicable only to installations of noncomplex wiring.
5. The Flat Installation Charge does not apply to rewiring work. Time and Material Charges would apply.
6. Included within the Flat Installation Charge is the Premises Visit Charge (travel time) and simple material e.g. staples, screws, nails, tape, 2 to 6 pr inside wire, faceplates and noncomplex jacks. Additional material charges may apply, if applicable.
7. Only one Initial Time and Material Charge and one Premises Visit Charge will apply when, for Company initiated reasons more than one Company technician or representative is involved in performing premises work on the same premises. Only Additional Time and Material Charges apply for work performed by the additional technicians or representatives.
8. Except as specified in 7., preceding, one Initial Time and Material Charge, one Premises Visit Charge and any Additional Time and Material Charges will apply per Company technician or representative when performing premises work on the same premises, per premises visit.
9. Premises Work Charges and a Premises Visit Charge apply separately for each premises involved per service call, when billable premises work is performed on premises wire. Such charges are due and payable when billed.
10. Wiring work requested by the customer and performed under the Time and Material Charge Plan under Schedules II and III is subject to a minimum charge of two hours for business customers.



**13. CUSTOMER PREMISES WIRE AND MAINTENANCE PLANS**

**13.2 PREMISES WORK CHARGES**

**C. Regulations (Cont'd)**

11. Premises Work Charges do not apply to the following work:

- To move or change a customer's telephone service if required or initiated by the Company.
- To install, move, or change telephone service located on a customer's premises but used exclusively by the Company for maintenance or training activities.
- The "from" portion of work involved in a transfer of service from one premises to another.
- Disconnection of access line services providing no work subject to Premises Work Charges is involved.
- Repair service except as stated otherwise.

12. Business customers utilizing complex wiring may request an estimate or a firm bid before ordering wire installation work done. When an estimate is provided, the estimate is not binding on the Company and the charge to be billed will be based on the actual Premises Work Charge incurred. When a firm bid is provided at the customer's request, the charge to be billed is the amount quoted to the customer for the work requested.

(M)

(M)

(M) Material moved to Page 8.1.

13. CUSTOMER PREMISES WIRE AND MAINTENANCE PLANS

13.2 PREMISES WORK CHARGES

C. Regulations (Cont'd)

13. When a customer is not a subscriber of a Company Premises Wire Maintenance Plan, and a Company **technician visits** the customer's premises to **investigate a customer-reported trouble**, the customer will be subject to the following charges:

(T)  
(T)

a. A Trouble Isolation Charge if:

(T)

- A service difficulty is found to be caused by customer-provided equipment, wire, facilities or communications system on the customer's side of the network interface device and the customer does not have the Company repair the premises wire trouble. However, this charge will not apply when a service difficulty or trouble is found to be in a permanently wired telephone associated with service (i.e., no network interface device).
- The customer requests or allows the Company to dispatch a technician to investigate the reported trouble and the customer then does not allow access to the necessary in-home wiring and equipment or is not available to allow access.
- The Company is able to determine conclusively through remote testing that no trouble exists, and the customer insists on a dispatch. If no trouble is found, the charge applies whether or not the customer has inside wire protection.

(T)

(N)

(N)

(T)

(T)

b. A Premises Visit Charge and Time and Material Charges, as found in D.1.a and b. and D.2.a. and b., following, will apply if the customer requests the Company to isolate and repair the premises wire trouble. A Trouble Isolation Charge will not apply.

(T)

(T)

c. A Premises Visit Charge and Time and Material Charges, as found in D.1.a. and b. and D.2.a and b., following, will apply if the customer has isolated the trouble and has the Company make the appropriate repairs. A Trouble Isolation Charge will not apply.

(T)

(T)

**13. CUSTOMER PREMISES WIRE AND MAINTENANCE PLANS**

**13.2 PREMISES WORK CHARGES (Cont'd)**

D. Charges

1. Residence

a. Time and Material Charges  
(Maintenance/Repair and  
complex wire installation.)

	<b>USOC</b>	<b>NONRECURRING CHARGE</b>
• Schedule I		
Applicable to work performed during regularly scheduled business hours.		
- Initial 30 minute increment or fraction thereof	HRD11	\$60.00
- Additional 15 minute increment or fraction thereof	HRDA1	30.00
• Schedule II		
Applicable to work performed at hours other than Schedule I, excluding Sundays and holidays.		
- Initial 30 minute increment or fraction thereof	HRD12	70.00
- Additional 15 minute increment or fraction thereof	HRDA2	35.00

**13. CUSTOMER PREMISES WIRE AND MAINTENANCE PLANS**

**13.2 PREMISES WORK CHARGES**

D.1.a. (Cont'd)

	<b>USOC</b>	<b>NONRECURRING CHARGE</b>
• Schedule III		
Applicable to work performed on Sundays and holidays.		
- Initial 30 minute increment or fraction thereof	HRD13	\$80.00
- Additional 15 minute increment or fraction thereof	HRDA3	40.00
b. Premises Visit Charge[1]		
• Per visit	NRTCY	25.00
c. Flat Installation Charge		
Applies for the installation of noncomplex wire and jacks.		
Included within the Flat Installation Charge is the Premises Visit Charge (travel time) and simple material e.g. staples, screws, nails, tape, 2 to 6 pr inside wire, faceplates and noncomplex jacks. Additional material charges may apply, if applicable.		
• Per order, per premises		
- 1st Jack	HRDJ1	\$99.00
- Each Additional	HRDS1	60.00

[1] A Premises Visit Charge applies to all Time and Material Charge Schedules except as specified elsewhere.

**13. CUSTOMER PREMISES WIRE AND MAINTENANCE PLANS**

**13.2 PREMISES WORK CHARGES**

D. Charges (Cont'd)

2. Business

- a. Billable Time and Material Charges  
(Maintenance/Repair and  
complex wire installation)

	<b>USOC</b>	<b>NONRECURRING CHARGE</b>
• Schedule I		
Applicable to work performed during regularly scheduled business hours.		
- Initial 30 minute increment or fraction thereof	HRD11	\$60.00
- Additional 15 minute increment or fraction thereof	HRDA1	30.00
• Schedule II[1]		
Applicable to work performed at hours other than Schedule I, excluding Sundays and holidays.		
- Initial 30 minute increment or fraction thereof	HRD12	70.00
- Additional 15 minute increment or fraction thereof	HRDA2	35.00

[1] Subject to a minimum charge of two hours.

**13. CUSTOMER PREMISES WIRE AND MAINTENANCE PLANS**

**13.2 PREMISES WORK CHARGES**

D.2.a. (Cont'd)

	<b>USOC</b>	<b>NONRECURRING CHARGE</b>
<ul style="list-style-type: none"> <li>• Schedule III[1]</li> </ul> <p>Applicable to work performed on Sundays and holidays.</p> <ul style="list-style-type: none"> <li>- Initial 30 minute increment or fraction thereof</li> <li>- Additional 15 minute increment or fraction thereof</li> </ul>	<p>HRD13</p> <p>HRDA3</p>	<p>\$80.00</p> <p>40.00</p>
<p>b. Premises Visit Charge[2]</p> <ul style="list-style-type: none"> <li>• Per visit</li> </ul>	<p>NRTCY</p>	<p>25.00</p>
<p>c. Flat Installation Charge</p> <p>Applies for the installation of noncomplex wire and jacks.</p> <p>Included within the Flat Installation Charge is the Premises Visit Charge (travel time) and simple material e.g. staples, screws, nails, tape, 2 to 6 pr inside wire, faceplates and noncomplex jacks. Additional material charges may apply, if applicable.</p> <ul style="list-style-type: none"> <li>• Per order, per premises</li> <li>- 1st Jack</li> <li>- Each Additional</li> </ul>	<p>HRDJ1</p> <p>HRDS1</p>	<p>\$110.00</p> <p>70.00</p>

[1] Subject to a minimum charge of two hours.

[2] A Premises Visit Charge applies to all Time and Material Charge Schedules except as specified elsewhere.

**13. CUSTOMER PREMISES WIRE AND MAINTENANCE PLANS**

**13.2 PREMISES WORK CHARGES**

**D. Charges (Cont'd)**

3. Holidays subject to Schedule III Residence and Business Charges are:

<b>HOLIDAYS</b>	<b>DAY OBSERVED</b>
New Year's Day	January 1
Memorial Day	Last Monday in May
Independence Day	July 4
Labor Day	First Monday in September
Thanksgiving Day	Fourth Thursday in November
Christmas Day	December 25

4. Material

- Normal repair material are included in the first increment charge and are not billed separately, e.g., RJ11C, RJ14C, PWL, 2 to 6 per inside wire, faceplates, staples, screws, nails, tape, connectors, etc.,
- Additional material charges are based on current Company material price list.

<b>USOC</b>	<b>NONRECURRING CHARGE</b>
AKT++ (e.g., AKT57)	\$1 to 99 \$57.00)
BAC++ (e.g., BAC01)	\$100 to 199 \$101.00)
CDR++ (e.g., CDR73)	\$200 to 299 \$273.00)
DPY++ (e.g., DPY29)	\$300 to 399 \$329.00)
Two USOCs (e.g., CDR63 DPY00)	\$400 + \$563.00)

**13. CUSTOMER PREMISES WIRE AND MAINTENANCE PLANS**

**13.2 PREMISES WORK CHARGES**

**D. Charges (Cont'd)**

**5. Trouble Isolation Charge[2]**

	<u>USOC</u>	Nonrecurring <u>Charge</u>
Residence and Business	LTESX	<b>\$99.00 (I)</b>

[1] Pages 15 through 17 were previously canceled.

[2] See C.13.2.C.13.a. preceding, for charge applications. Premises Visit Charge does not apply when LTESX is applicable.



**13. CUSTOMER PREMISES WIRE AND MAINTENANCE PLANS**

**13.3 RESIDENCE MAINTENANCE PLANS**

A. Description

1. Residence Maintenance Plans are available from the Company for noncomplex residence customers. These noncomplex maintenance plans provide for trouble isolation and maintenance of premises wire and associated jacks locate on the customer side of the Network Interface.
2. The following plans are available:

Residence *LINE-BACKER* Service (a.k.a. Inside Wire Protection)

(T)

A premises wire maintenance plan that provides residence customers with inside wire and jack repair, and isolation of trouble. With the exception of a qualifying package customer, i.e. *QWEST* Home Phone, each individual line at an address is subject to the per premises, per line (OWM) rate in C., following. Customers who subscribe to a package with multiple lines at an address may subscribe to *LINE-BACKER* at the per premises rate (OWMPA) in C., following. The per premises rate provides coverage to all lines on the account.

B. Terms and Conditions

1. Residence Maintenance Plans are subject to a minimum billing period of one month.

**13. CUSTOMER PREMISES WIRE AND MAINTENANCE PLANS**

**13.3 RESIDENCE MAINTENANCE PLANS**

**B. Terms and Conditions (Cont'd)**

- 2. When a trouble condition is attributed to the presence of non-standard wiring or installation, only that portion of the wiring and jacks where the problem exists will be rewired, if necessary, using standard wire, jacks and installation methods. The Company will not entirely rewire the premises even though non-standard wire may have been used on other working jacks. Rewiring work that is required to remedy an existing case of trouble will be performed in a reasonable manner.
- 3. Coverage of these plans will commence for existing customers without delay on the completion date of a service order as noted on the customer's service record. However, the Plan does not cover trouble which exists prior to establishing telephone service or prior to establishing the Plan, except as follows: When a customer reports a trouble to the Company and, before a Company technician is dispatched, elects to subscribe to the Plan, the Trouble Isolation Charge will be waived, **except as described in Section 13.2.C.13.a.**, and the Plan will apply for that reported trouble. (T)

If a customer elects to subscribe to the Plan after a Company technician isolates a trouble on the customer's side of the network interface device, the Plan will become effective the day following repair of the reported trouble. If the customer authorizes the Company to make the needed repairs, the applicable repair charges for inside wiring and/or customer-provided equipment will apply.

If the Company can conclude definitively through remote testing that no trouble exists in company facilities or customer's inside wiring that is covered by the Plan, a technician will not be dispatched to the customer's premises. If, upon customer demand, a technician is then dispatched, and no trouble is found, the applicable charge for a customer-demanded dispatch will apply.

New customers or customers moving to a different address may subscribe to the plans without delay; however, at least one jack must be working at the time the service is established. The Plan will not cover installation of new jacks and wiring or rewiring of existing jacks at the new location.

**13. CUSTOMER PREMISES WIRE AND MAINTENANCE PLANS**

**13.3 RESIDENCE MAINTENANCE PLANS**

B. Terms and Conditions (Cont'd)

C. Rates and Charges

	<b>USOC</b>	<b>MONTHLY RATE [2]</b>
• <i>LINE-BACKER</i> Service (a.k.a. Inside Wire Protection)		
- per premises, per line	OWM	<b>\$20.00 (I)</b>
- per premises [1]	OWMPA	<b>20.00 (I)</b>

[1] Rate for *LINE-BACKER* service is available on a per premise basis when an account has a specific voice package that includes wire maintenance.

[2] As of September 1, 2018, a discount no longer applies when *LINE-BACKER* Service is added as an option to a single line or multiline *QWEST* Home Phone package described in 105.9.1 of this Catalog.

**13. CUSTOMER PREMISES WIRE AND MAINTENANCE PLANS**

**13.4 BUSINESS MAINTENANCE PLANS**

A. General

Business *UNISTAR* Service (a.k.a. Inside Wire Protection) provides for inside wire maintenance, trouble isolation and repair services for business customers as specified below.

B. Terms and Conditions

1. Business *UNISTAR* Service is subject to a minimum billing period of one month.
2. Coverage of these plans will commence for existing customers without delay on the completion date of a service order as noted on the customer's service record. However, the Plan does not cover trouble which exists prior to establishing telephone service or prior to establishing the Plan, except as follows: When a customer reports a trouble to the Company and, before a Company technician is dispatched, elects to subscribe to the Plan, the Trouble Isolation Charge will be waived, **except as described in Section 13.2.C.13.a.**, and the Plan will apply for that reported trouble. (T)

If a customer elects to subscribe to the Plan after a Company technician isolates a trouble on the customer's side of the network interface device, the Plan will become effective the day following repair of the reported trouble. If the customer authorizes the Company to make the needed repairs, the applicable repair charges for inside wiring and/or customer-provided equipment will apply.

If the Company can conclude definitively through remote testing that no trouble exists in company facilities or customer's inside wiring that is covered by the Plan, a technician will not be dispatched to the customer's premises. If, upon customer demand, a technician is then dispatched, and no trouble is found, the applicable charge for a customer-demanded dispatch will apply.

New customers or customers moving to a different address may subscribe to the plans without delay; however, at least one jack must be working at the time the service is established. The Plan will not cover installation of new jacks and wiring or rewiring of existing jacks at the new location.

**13. CUSTOMER PREMISES WIRE AND MAINTENANCE PLANS**

**13.4 BUSINESS MAINTENANCE PLANS**

B. Terms and Conditions (Cont'd)

(D)

(D)

C. Business *UNISTAR* Service (a.k.a. Inside Wire Protection)

1. Description

Business *UNISTAR* Service provides for the following:

- Noncomplex coverage which includes maintenance of the inside wire and jacks within the individual business suite. If possible, the Company will cut to clear in riser or intrabuilding cable.
- Complex coverage which includes isolation and maintenance of the inside wire from the inside terminal or MPOP to the common equipment jack. If possible, the Company will cut to clear in riser or intrabuilding cable.
- Waiver of Premises Work Charges when trouble is isolated to customer-provided equipment.

**Qwest Corporation d/b/a CenturyLink QC**  
**Exchange and Network**  
**Services Catalog No. 1**

**SECTION 13**

Page 21

Release 3

Effective: 6-15-2013

Idaho Public Utilities Commission (6)

Office of the Secretary

**ACCEPTED FOR FILING**

June 15, 2013

Boise, Idaho

**SOUTHERN IDAHO**

Issued: 6-5-2013

---

**13. CUSTOMER PREMISES WIRE AND MAINTENANCE PLANS**

**13.4 BUSINESS MAINTENANCE PLANS**

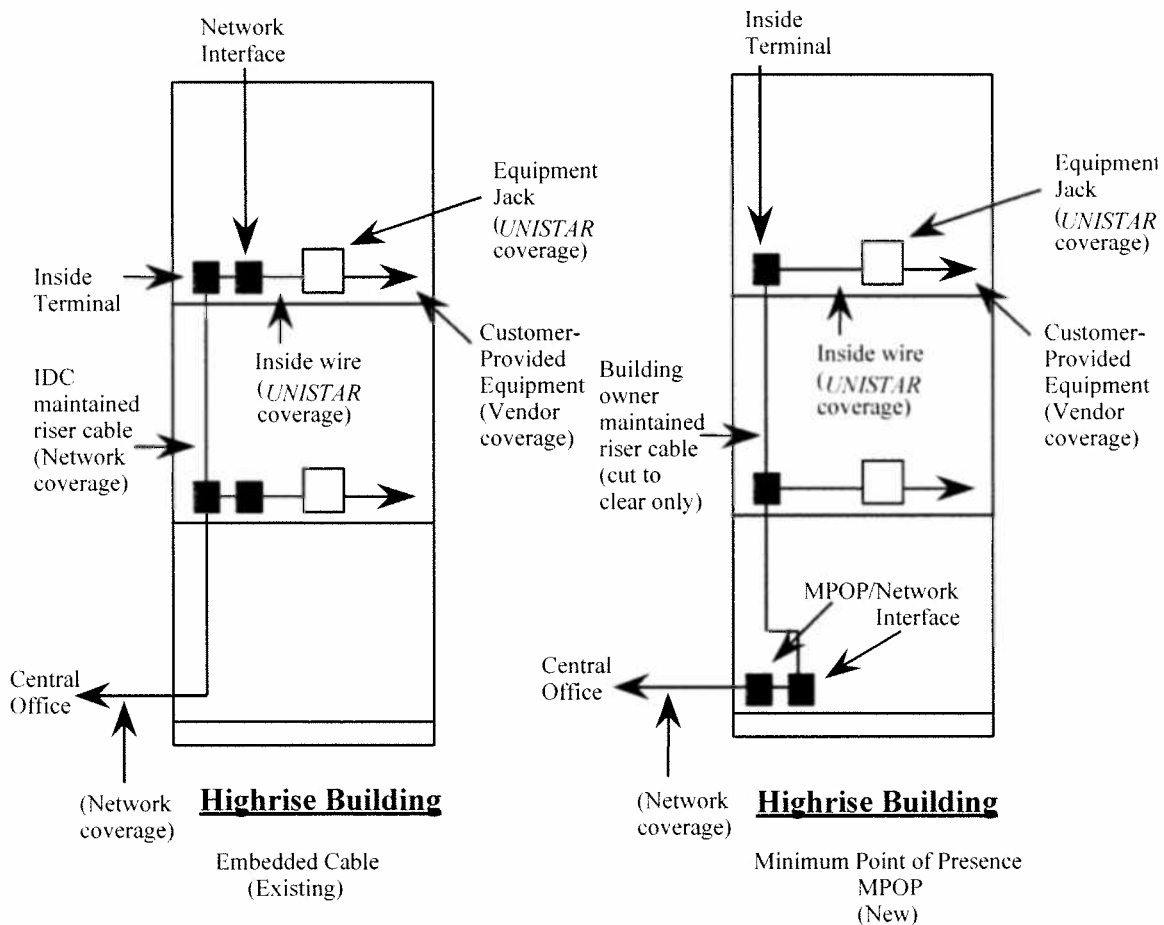
13. CUSTOMER PREMISES WIRE AND MAINTENANCE PLANS

13.4 BUSINESS MAINTENANCE PLANS (Cont'd)

D. Illustrations

- The following illustration exemplifies the network coverage, Business *UNISTAR* Service, and Customer/Vendor coverage.

NONCOMPLEX COVERAGE

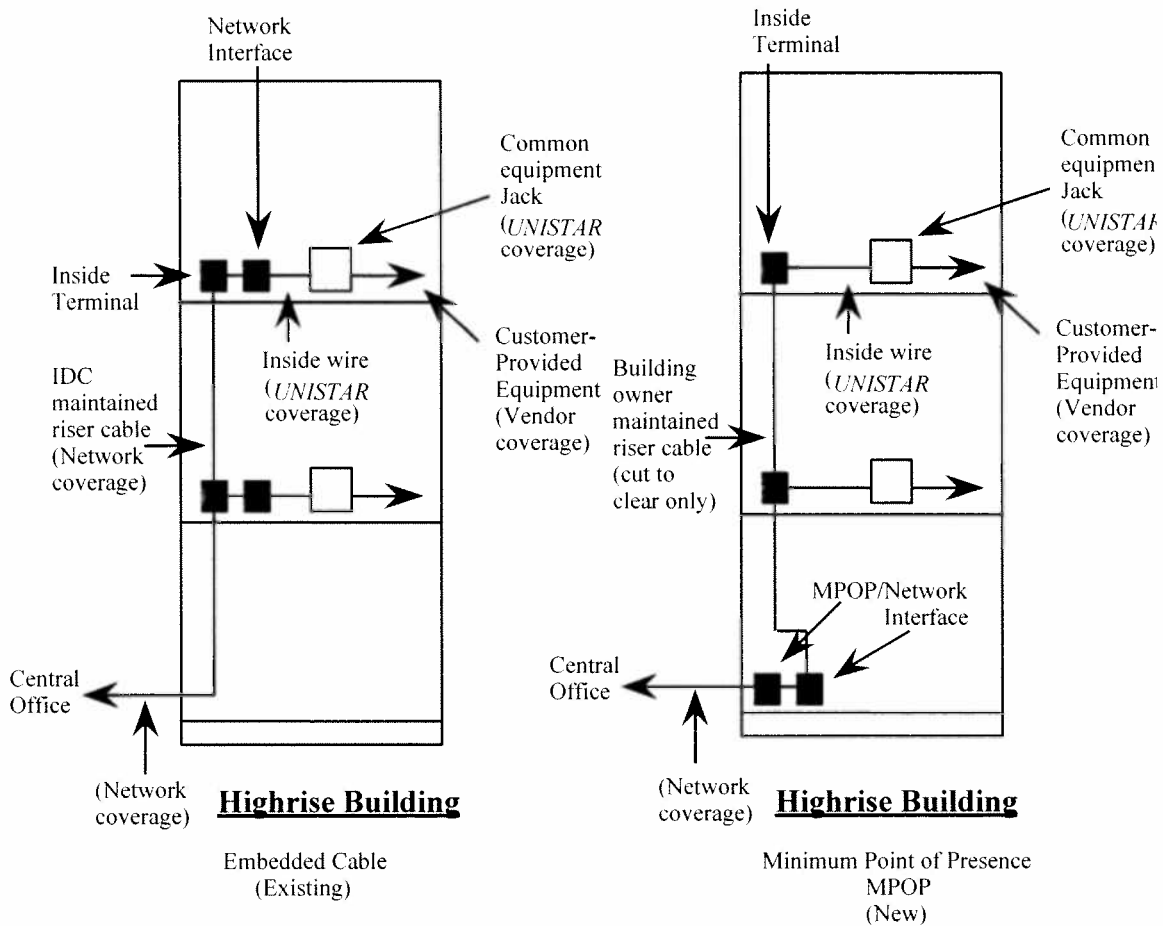


**13. CUSTOMER PREMISES WIRE AND MAINTENANCE PLANS**

**13.4 BUSINESS MAINTENANCE PLANS**

**D. Illustrations (Cont'd)**

**COMPLEX COVERAGE**





**13. CUSTOMER PREMISES WIRE AND MAINTENANCE PLANS**

**13.4 BUSINESS MAINTENANCE PLANS (CONT'D)**

E. Rates and Charges

	<b>USOC</b>	<b>MONTHLY RATE</b>
• Business <i>UNISTAR</i> Service (a.k.a. Inside Wire Protection)		
- Per line[1]	WMR	<b>\$17.00 (I)</b>
- Per line or per circuit termination, each[2]	USP1X	<b>20.00 (I)</b>
- Per PBX trunk, each	USP2X	<b>20.00 (I)</b>
- Per Centrex, <i>CENTRON</i> Custom station lines, each	USP3X	<b>20.00 (I)</b>
- Special Services, per termination	UMP3X	8.00

[1] Offered only to noncomplex business customers.

[2] Applies to *CENTRON* 6 and 30 access lines.

(D)  
|  
(D)

**13. CUSTOMER PREMISES WIRE AND MAINTENANCE PLANS**

**13.4 BUSINESS MAINTENANCE PLANS**

**E. Rates and Charges (Cont'd)**

	<b>USOC</b>	<b>MONTHLY RATE</b>
• Building Owner/Tenant Solutions[1]		
- Business <i>UNISTAR</i> Service		
- Building size, number of lines		
2000+	MPU7X	\$1.25
1,000-1,999	MPU6X	1.40
500-999	MPU5X	1.50
300-499	MPU4X	1.65
150-299	MPU3X	1.80
100-149	MPU2X	1.95
50-99	MPU1X	2.25

[1] At the end of the contract period or if the contract is terminated, the rates will revert to regular rates.

**Qwest Corporation d/b/a CenturyLink QC**  
**Exchange and Network**  
**Services Catalog No. 1**

**SECTION 13**

Page 26

Release 3[1]

Effective: 6-15-2013

**SOUTHERN IDAHO**

Issued: 6-5-2013

Idaho Public Utilities Commission (6)

Office of the Secretary

**ACCEPTED FOR FILING**

June 15, 2013

Boise, Idaho

---

**13. CUSTOMER PREMISES WIRE AND MAINTENANCE PLANS**

[1] Page 27 was previously canceled.

(C)

NOTICE  
THE INFORMATION CONTAINED IN THIS DOCUMENT IS SUBJECT TO CHANGE.  
TRANSMITTAL NO. 13-02-SID

**Qwest Corporation d/b/a CenturyLink QC**  
**Exchange and Network**  
**Services Catalog No. 1**

**SECTION 113**  
Index Page 1  
Release 3

**SOUTHERN IDAHO**  
Issued: 10-29-2019

Effective: 11-8-2019

**Idaho Public Utilities Commission**  
**Office of the Secretary**  
**ACCEPTED FOR FILING**  
**November 8, 2019**  
**Boise, Idaho**

**113. OBSOLETE CUSTOMER PREMISES WIRE AND MAINTENANCE PLANS**

<b>SUBJECT</b>	<b>PAGE</b>	
Business Maintenance Plans.....	2	
Business <i>COMPLETE COVERAGE</i> (a.k.a. Inside Wire Protection) .....	2	(T)
Residence Maintenance Plans.....	1	
Residence <i>COMPLETE COVERAGE</i> (a.k.a. Inside Wire Protection) ...	1	(T)

NOTICE  
THE INFORMATION CONTAINED IN THIS DOCUMENT IS SUBJECT TO CHANGE.  
TRANSMITTAL NO. 19-12-SID

**113. OBSOLETE CUSTOMER PREMISES WIRE AND MAINTENANCE PLANS**

**113.3 RESIDENCE MAINTENANCE PLANS**

For terms, conditions, rate and charge applications see 13.3 of this Catalog.

A. Description

The following plans are obsolete and no longer available to new customers. Existing customers will be allowed to retain their obsolete packages only as long as service remains at the same location for the same customer.

Residence *COMPLETE COVERAGE* (a.k.a. Inside Wire Protection) [1]

A maintenance plan that provides residence customers, per exchange access line, per premises, with inside wire, jack repair and trouble isolation. This plan is obsolete as of October 1, 2005.

B. Rates and Charges

	<b>USOC</b>	<b>MONTHLY RATE</b>
• Residence <i>COMPLETE COVERAGE</i> (a.k.a. Inside Wire Protection)	GSD, GSD2X	<b>\$20.00 (I)</b>

[1] Residence *COMPLETE COVERAGE* is equivalent to per line, per premises, Residence *LINE-BACKER* Service described in 13.3 of this Catalog.

**113. OBSOLETE CUSTOMER PREMISES WIRE AND MAINTENANCE PLANS**

**113.4 BUSINESS MAINTENANCE PLANS**

For terms, conditions, rate and charge applications see 13.4 of this Catalog.

A. Description

The following plans are obsolete and no longer available to new customers. Existing customers will be allowed to retain their obsolete packages only as long as service remains at the same location for the same customer.

Business COMPLETE COVERAGE (a.k.a. Inside Wire Protection) [1]

A maintenance plan that provides business customers with inside wire maintenance, trouble isolation and repair services. This plan is obsolete as of October 1, 2005.

B. Rates and Charges

	<b>USOC</b>	<b>MONTHLY RATE</b>
• Business <i>COMPLETE COVERAGE</i> , (a.k.a. Inside Wire Protection) per account	MNSNX, MNSOX	<b>\$20.00 (I)</b>

[1] Business *COMPLETE COVERAGE* is equivalent to Business *UNISTAR* Service described in 13.4 of this Catalog.

**Qwest Corporation d/b/a CenturyLink QC**  
**Exchange and Network**  
**Services Catalog No. 1**

**SECTION 14**  
Index Page 1  
Release 4  
Effective: 4-26-2012

**SOUTHERN IDAHO**  
Issued: 4-16-2012

Idaho Public Utilities Commission  
Office of the Secretary  
**ACCEPTED FOR FILING (C)**  
April 26, 2012  
Boise, Idaho

**14. INTEGRATED SERVICES DIGITAL NETWORK**

<b>SUBJECT</b>	<b>PAGE</b>	
General .....	1	
Basic Rate Service Offerings .....	9	
Individual Case ISDN .....	50	
Primary Rate Service .....	30	
Primary Rate Service Offerings .....	30	
Primary Rate Service (PRS) Bundle .....	47	(N)
Single Line ISDN Service.....	9	

NOTICE  
THE INFORMATION CONTAINED IN THIS DOCUMENT IS SUBJECT TO CHANGE.  
TRANSMITTAL NO. 12-04-SID

## **14. INTEGRATED SERVICES DIGITAL NETWORK**

### **14.1 GENERAL**

#### **A. Description**

Integrated Services Digital Network (ISDN) is a digital architecture that provides an integrated voice/data capability to the customer premises facility, utilizing the public switched network. ISDN distributes voice, data, video, image and facsimile by two standard methods of access: a Basic Rate Service (BRS) or a Primary Rate Service (PRS). These are serving arrangements which conform to internationally developed, published, and recognized standards generated by the International Telecommunications Union (formerly CCITT).

#### **B. Definitions**

##### Account

An account is equivalent to one customer at one address with the same type of Basic Rate Access.

##### Basic Rate Service

BRS consists of up to three distinct channels on one pair of wires: one or two B (Bearer) Channels and one D (Delta) Channel. BRS is offered on either an individual case basis or in a packaged offering referred to as Single Line ISDN Service. Single Line ISDN Service is only available as a flat rate service.

##### B (Bearer) Channel

The B-channel carries circuit-switched voice and/or data communications at speeds up to 64 kbit/s, from the customers premises, over the loop facility, to the central office.

##### B-Channel Circuit-Switched Data

Circuit-Switched Data provides the capability of making data calls over the public switched network. Information is transmitted the same way as digitized voice. Like a voice call, a circuit-switched data call ties up network/system resources for the duration of the call. Similar to voice, Calling Line Identification functionality is provided.



## **14. INTEGRATED SERVICES DIGITAL NETWORK**

### **14.1 GENERAL**

#### **B. Definitions (Cont'd)**

##### D (Delta) Channel

The D-channel carries signaling and/or packet data information, at speeds up to 16 kbps on BRS, and signaling only information up to 64 kbps for PRS, from the customer's premises to the central office. The D-channel has both data and signaling functionality; it does not have voice capability.

##### D-Channel Packet-Switched Data

The X.25 Logical Circuit Call allows users to originate and receive X.25 data calls over the D-channel. Multiple data calls can be active simultaneously on a single D-channel.

##### Digital Subscriber Loop (DSL)

The ISDN basic rate interface loop from the CO to the customer's premises.

##### Primary Rate Service (PRS)

PRS has a capacity of 1.544 megabits per second (Mbps) and has multiple channels: 23 B-channels, and one D-channel, and is also known as 23 B+D access. The B-channels carry voice calls, circuit switched data, and video, while the D-channel handles signaling information.

---

## **14. INTEGRATED SERVICES DIGITAL NETWORK**

### **14.1 GENERAL**

#### **B. Definitions (Cont'd)**

##### T1 Facility

This element is the digital facility transmitting at a rate of 1.544 Mbps. The T1 signal provided to the customer's premises will have a loss not greater than 16.5 dB. The T1 facility may be provided, at the customer's request, via a fiber optic facility between the Company's CO and the customer's premises. Construction charges, specified in Section 4 of this Catalog, may apply.

##### T3 Facility

A channel for point-to-point, two-way, digital transmission at a rate of 44.736 Mbps. At the customer's request, a T3 facility may be provided between the Company's CO and the customer's premises. Construction charges, specified in Section 4 of this Catalog, may apply.

---

**14. INTEGRATED SERVICES DIGITAL NETWORK**

**14.1 GENERAL (Cont'd)**

C. Terms and Conditions

1. General

- a. The customer or the customer's authorized agent will be responsible for the procurement of associated customer premises equipment (CPE) and will ensure compatibility with the ISDN digital switch serving the customer.
- b. Single Line ISDN Service includes a comprehensive 2B+D package. Contained in the standard package are numerous voice and data features. The standard features and functions support two terminals per BRS. Within the standard package there is limited flexibility for customization and various optional features can be added. Single Line ISDN Service does not offer B-channel packet service capabilities.
- c. The Company will terminate ISDN Services at the Company network interface.
- d. Should any change in inside wiring (including riser cable) not owned by the Company, or CPE, require the Company to redesign ISDN service, the customer shall reimburse the Company for all costs incurred by the Company in making such a change. Should ISDN service fail due to inside wiring (including riser cable) not owned by the Company, CPE, or power failure, the responsibility for failure shall be solely that of the customer and the Company shall have no liability of any kind.
- e. The customer is responsible for placement, installation, operation, maintenance, repair and replacement of all inside wire (including riser cable), not owned by the Company, and CPE that the customer uses in connection with this service. Premises wiring and CPE must be compatible with the Company's provision of ISDN Service.

**14. INTEGRATED SERVICES DIGITAL NETWORK**

**14.1 GENERAL**

C.1. (Cont'd)

- f. A customer may cancel an order for the installation of service at any time prior to notification by the Company that service is available for the customer's use **as set forth in Section 2.2.1.B.** Cancellation charges will apply as discussed below. Cancellation charges will be determined based on estimated costs incurred in conjunction with the provision of an order.

(T)

(T)

(D)

|

(D)

Service date intervals are associated with the provisioning of an order. Certain critical dates are used by the Company to monitor the service order provisioning progress. Cancellation charges are based on the estimated costs incurred by the Company at the time the order is cancelled. The Company monitors which critical date was last scheduled and determines what percentage of the Company's provisioning costs have been incurred as of that critical date. A cancellation charge will not apply if the scheduled Service Date has not been provided to the customer.

Costs incurred in conjunction with the provision of an order start on the Application Date. The Application Date is the date the customer provides a firm commitment and sufficient information to the Company for order placement. The Application Date is the date the Company enters the order into the Company's order distribution system(s). This is sometimes referred to as the order date. When a customer cancels an order prior to the Application Date, no charges shall apply. When a customer cancels an order or part of an order, on or after the Application Date, a charge equal to the estimated costs incurred by the Company shall apply.

## **14. INTEGRATED SERVICES DIGITAL NETWORK**

### **14.1 GENERAL**

#### **C.1. (Cont'd)**

- g. If an ISDN Service interruption, disconnection, error, performance failure, or some other out-of-service condition occurs and lasts for more than 24 consecutive hours after the customer gives the Company notice of such out-of-service condition, except for problems caused by the customer's actions, inside wiring, interface, and/or CPE, an out-of-service credit will be applied to the customer's bill. This service shall be based on a 30 day month and shall be calculated by dividing the monthly rate for the service affected by 30 days and multiplying that daily rate by the number of days, or major fraction thereof, that the service was interrupted. This will be the customer's sole remedy.
- h. RSP Termination/Cancellation Charges
  - (1) Early termination charges will apply if a PRS Rate Stability Plan (RSP) is terminated in whole or in part by the customer, or is terminated for cause by the Company. The customer must give 30 days written notice of termination.
  - (2) If a customer terminates a RSP prior to the installation date, customer shall pay termination charges including but not limited to: all engineering, planning, preparation, materials, supplies, placement, facilities, acquisition, transportation, installation, construction, and labor costs and charges incurred by the Company.
  - (3) If a customer terminates a PRS RSP after the date of installation but prior to the expiration of the contract, termination charges will apply as specified in the Termination Liability/Waiver Policy, set forth in 2.2.14, preceding.
  - (4) If the PRS facility is moved to an existing DS3 facility and the Waiver Policy conditions are met, as specified in 2.2.14, preceding, termination charges will not apply.
- i. The Company and any customer who agrees to accept the RSP will enter into a written agreement whose terms and conditions will be consistent with this Catalog.
- j. Refer to 2.2.1, preceding, for order cancellation policy.
- k. Suspension of Service – Customer Initiated, is not available on ISDN Services.

## **14. INTEGRATED SERVICES DIGITAL NETWORK**

### **14.1 GENERAL**

#### **C. Terms and Conditions (Cont'd)**

##### **2. Availability**

- a. The rates and charges specified for Single Line ISDN Service are applicable only to customers whose serving central office has been identified by the Company as having ISDN available.
- b. Single Line ISDN Service may be provided to customers from a central office other than their normal serving office as determined by the Company.
- c. Single Line ISDN Service is offered where ISDN compatible facilities and equipment are available. Service is generally considered available for loops 18 kilofeet or less in length. Loops greater than 18 kilofeet in total length must meet ISDN extension technology design requirements and will be considered available if ISDN compatible pair gain systems are in place or planned to serve the area based on the scheduled placement of compatible pair gain systems. If no pair gain system is in place or planned, loops greater than 18 kilofeet in length will also be considered available if single line loop extension equipment can be deployed and the loop is within the design limitation of this type of extension equipment.
- d. Some services are not available and/or compatible with ISDN.

##### **3. Local Calling Areas and Telephone Numbers**

- a. If a customer is provided service from a designated central office which is not the customer's normal serving office, the local calling area for the customer's Single Line ISDN Service will be that of the designated ISDN-equipped central office.
- b. Calling areas are subject to change as additional central offices become capable of directly providing ISDN services to the customer's own and nearby serving area. Changes to calling areas will affect customer telephone numbers.

##### **4. Indemnification**

- a. It is the customer's responsibility to indemnify and hold harmless the Company against any and all claims, losses, liabilities, damages and lawsuits brought by any nonparty and arising, in whole or in part, out of customer's material breach of this Catalog. Indemnification shall include, but is not limited to, costs and attorney's fees.

## **14. INTEGRATED SERVICES DIGITAL NETWORK**

### **14.1 GENERAL**

#### **C.4. (Cont'd)**

- b. The Customer is responsible for the content of communications. Where the customer's negligence or wrongful actions in using inside wire (including riser cable) not owned by the Company, CPE or customer's communications result in any claim or legal action brought by any nonparty, the customer shall indemnify and hold the Company harmless.

#### **5. Protection of the Network**

- a. The Company has the right and option to check the output of any equipment used in the transmission of signals, to or from the customer premises, for this service. This includes Company provided facilities or other companies' facilities used in connection with provision of ISDN capabilities, such as customer-provided equipment.
- b. The Company will notify the customer of any deviation from the authorized transmissions or specifications established in provision of the service.
- c. Upon notification by the Company that unauthorized transmissions are present due to customer equipment or facilities, the customer or customer's authorized agent will correct the situation on an expeditious basis or service will be disconnected by the Company to protect the network. The Company shall not be liable for and disclaims liability for losses which might be incurred as a result of disconnecting the service and disclaims any and all implied warranties, including, without limitation, warranties of merchantability and fitness for a particular purpose. With respect to such equipment or service, the Company shall not be liable for any incidental or consequential damages including, but not limited to loss, damage, or expense directly or indirectly arising from the customer's use of or inability to use this service or equipment, either separately or in combination with other services or equipment.

#### **6. Contract**

Each customer, who is not subscribing to Single Line ISDN Service or Primary Rate Service, will be required to sign a contract for the furnishing of ISDN service not provided under this Catalog. Additions or changes to the contract may be negotiated only with agreement by both parties to new terms.

## **14. INTEGRATED SERVICES DIGITAL NETWORK**

### **14.2 BASIC RATE SERVICE OFFERING**

#### **14.2.1 SINGLE LINE ISDN SERVICE [1]**

(C)

Single Line ISDN Service is business service that is compatible with National ISDN and includes circuit-switched voice, circuit-switched data and packet functionality.

##### **A. Standard Features and Functions**

Two sets of features are being offered: One for "voice" and one for "data". Because of CPE selected by the customer or the customer's agent, some of the features offered may function differently, may not be available or may be required to be offered via an access code. The standard features and functions support two terminals per BRS. The two feature sets are as follows:

##### **1. Voice Features**

###### Call Appearance (CA)

A CA is the position(s) on a terminal to which numbers are assigned. A Directory Number (DN) can be shared by more than one ISDN terminal. The quantity and/or position of CAs for the Primary Directory Number (PDN), Secondary Directory Numbers (SDN), and Shared Call Appearances (SCA) are limited by the standard configuration developed for the CPE. A total of six CAs per terminal are included in the standard package.

**[1] Effective June 1, 2023, Single Line ISDN Service is grandfathered for small business customers and will no longer be available to new small business customers.**

(N)  
|  
(N)

SID2023-07



**14. INTEGRATED SERVICES DIGITAL NETWORK**

**14.2 BASIC RATE SERVICE OFFERINGS**

**14.2.1 SINGLE LINE ISDN SERVICE [1]**

(C)

A.1. (Cont'd)

Call Exclusion

This feature has two options:

• Automatic Exclusion

This option allows a user to restrict other users that share a DN from bridging onto an active call or retrieving a held call. This option is automatically invoked whenever the user goes off-hook to receive or place a call.

• Manual Exclusion

This option allows a user to restrict other users, which share a DN from bridging onto on active call or retrieving a held call. This option is activated by pressing a feature button before dialing or during the call.

Call Forwarding-Busy Line-All Calls (Pre-programmed)

This feature allows all voice calls to a busy PDN to be forwarded to another number either within the same central office, for the same customer at the same location, outside the customer system within the same central office, or in a different central office.

Call Forwarding-Don't Answer (Pre-programmed)

This feature allows all voice calls terminating to an idle PDN to be forwarded to another number when the called PDN does not answer after a predetermined number of seconds.

Call Forwarding-Variable-All Calls

The user can forward all PDN voice calls to another number by pressing the Call Forwarding-Variable feature button. The forward-to number is customer changeable. The user must activate or deactivate the forwarding function by using either an access code or a feature button. The standard configuration provides for this feature on a feature button.

[1] **Effective June 1, 2023, Single Line ISDN Service is grandfathered for small business customers and will no longer be available to new small business customers.**

(N)  
|  
(N)

**14. INTEGRATED SERVICES DIGITAL NETWORK**

**14.2 BASIC RATE SERVICE OFFERING**

**14.2.1 SINGLE LINE ISDN SERVICE [1]**

(C)

A.1. (Cont'd)

Call Hold

This feature allows the user to place a call on hold by depressing a button.

Call Transfer

This feature enables the user to transfer a call to a third party by depressing a button.

Caller Identification Blocking - Per Call

This feature enables a customer to control the disclosure of his/her name and/or DN to a subscriber of Caller Identification (where technically feasible) by temporarily changing the public/private status indicator of the DN. A customer must dial a code before each call to change the indicator from public to private. "Public status" allows delivery of the name and/or DN. "Private status" prevents delivery of the name and/or DN. Per Call Blocking is provided at no charge.

Calling Line Identification

Calling Line Identification is provided on both an incoming and outgoing basis.

• Incoming (ICLID)

Calling Line Identification is provided on both an incoming and outgoing basis. This feature displays the call identification information and the calling party's DN (including nonpublished and nonlisted directory numbers) prior to the call being answered. Calling party's name is available as an optional feature. Callers have the ability to inhibit the display of calling party information to the terminating number. ICLID is provided to the PDN and to any associated SDNs. ICLID cannot just display to the PDN when the number is shared.

• Outgoing (OCLID)

This feature provides a user who is originating a call with information about the called party and the facility or destination.

**[1] Effective June 1, 2023, Single Line ISDN Service is grandfathered for small business customers and will no longer be available to new small business customers.**

(N)  
|  
(N)

## **14. INTEGRATED SERVICES DIGITAL NETWORK**

### **14.2 BASIC RATE SERVICE OFFERINGS**

#### **14.2.1 SINGLE LINE ISDN SERVICE [1]**

(C)

##### A.1. (Cont'd)

##### Conference

This feature allows a user to establish a three-way conference call by depressing a button.

##### Display

This feature provides the ISDN terminal a display of the time and date, calling number, call appearance identification, called number, incoming call identifier and feature activation operation.

##### Drop

The Drop button allows the user to drop the last party added to a conference call or to disconnect a two-party call.

##### Intercom

Intercom service allows the user to establish a dedicated priority call to any other station that is a member of the same intercom group within the same central office. Special alerting, depending on CPE, is provided for an incoming intercom call. As part of the standard package the user can select either Auto Intercom or Dial Intercom.

- Auto Intercom

This feature allows two members to be part of an intercom group, which enables intercom calls to be completed by pressing the feature button. Dialed digits are not required.

- Dial Intercom

This feature allows the user to establish a call to any other station that is a member of the same intercom group. This is done by pressing the Intercom button and dialing one or more digits. Special alerting, depending on CPE, is provided for an incoming Intercom call.

**[1] Effective June 1, 2023, Single Line ISDN Service is grandfathered for small business customers and will no longer be available to new small business customers.**

(N)  
|  
(N)

SID2023-07

**14. INTEGRATED SERVICES DIGITAL NETWORK**

**14.2 BASIC RATE SERVICE OFFERING**

**14.2.1 SINGLE LINE ISDN SERVICE [1]**

(C)

A.1. (Cont'd)

Message Waiting Indication

This feature is available on PDN's and notifies the user of a message waiting by providing either an audible stuttered dial tone or visually by illuminating a light on the customer's telephone set. Messages may be retrieved by calling the message service center or by accessing a voice mail system.

Primary Directory Number (PDN)

Each ISDN terminal is assigned one PDN. If more than two terminals are attached to a DSL, an additional PDN charge will apply.

Ringling Options

Ringling options allows ISDN station users to establish flexible call handling arrangements for answering incoming calls that terminate on the SCAs of a DN. The ringling options available on a per station basis for a shared DN are:

- Abbreviated Ringling

Ringling begins immediately for an incoming call and stops ringling after "N" seconds.

- Delayed Ringling

Ringling for an incoming call is delayed for "N" seconds, however, the CA indicator or "status" lamp begins flashing immediately.

- No Ringling

There is no ringling for an incoming call that terminates on a CA of that DN.

- Normal Ringling

Ringling begins immediately for an incoming call and continues until the call is forwarded, answered, or abandoned.

**[1] Effective June 1, 2023, Single Line ISDN Service is grandfathered for small business customers and will no longer be available to new small business customers.**

(N)  
|  
(N)

**14. INTEGRATED SERVICES DIGITAL NETWORK**

**14.2 BASIC RATE SERVICE OFFERINGS**

**14.2.1 SINGLE LINE ISDN SERVICE [1]**

(C)

A.1. (Cont'd)

Secondary Directory Number (SDN)

A SDN is any DN other than the PDN assigned to an ISDN terminal. If more than one SDN is assigned to a terminal, additional charges will apply.

Shared Call Appearance (SCA)

This allows several users to share one or more CAs for a particular DN. Origination of and termination of calls on one terminal will affect all terminals sharing the CA. All SCAs must be provisioned from the same serving central office. If more than two SCAs are assigned to a terminal, additional charges will apply.

Speed Calling

Speed calling permits the user to dial pre-programmed numbers using fewer digits than normally required. A speed call list allows for up to 30 preprogrammed numbers per terminal.

Standard Configuration Group

The standard arrangement which associates a button of an ISDN station set to a feature.

[1] **Effective June 1, 2023, Single Line ISDN Service is grandfathered for small business customers and will no longer be available to new small business customers.**

(N)  
|  
(N)

**14. INTEGRATED SERVICES DIGITAL NETWORK**

**14.2 BASIC RATE SERVICE OFFERINGS**

**14.2.1 SINGLE LINE ISDN SERVICE [1]**

(C)

A. Standard Features and Functions (Cont'd)

2. B-Channel Circuit-Switched Data Features

Call Forwarding-Busy Line For Circuit-Switched Data

This feature permits all circuit-switched data calls, attempting to terminate to a busy PDN, to be redirected to another customer-specified DN. A busy line condition exists when a circuit-switched data B-channel is unavailable. This feature can either be assigned to the user on an active basis or it can be assigned to a feature button that can be activated or deactivated by the user. If the feature is assigned to a feature button, the forward-to DN can be changed by dialing an access code and programming the new forward-to DN.

Call Forwarding-Don't Answer For Circuit-Switched Data

This feature permits all circuit-switched data calls attempting to terminate to an idle PDN to ring a specified number of seconds prior to being forwarded to a previously specified DN. This feature can either be assigned to the user on an active basis or it can be assigned to a feature button that can be activated or deactivated by the user. If the feature is assigned to a feature button, the forward-to DN can be changed by dialing an access code and programming the new forward-to DN.

Call Forwarding-Variable-All Calls For Circuit-Switched Data

This feature allows circuit-switched data calls, attempting to terminate to a line, to be redirected to another specified line. The user must activate or deactivate the forwarding function by either using an access code or a feature button. If the feature is assigned to a feature button, the forward-to DN can be changed by dialing an access code and programming the new forward-to DN.

[1] **Effective June 1, 2023, Single Line ISDN Service is grandfathered for small business customers and will no longer be available to new small business customers.**

(N)  
|  
(N)

SID2023-07

## **14. INTEGRATED SERVICES DIGITAL NETWORK**

### **14.2 BASIC RATE SERVICE OFFERINGS**

#### **14.2.1 SINGLE LINE ISDN SERVICE [1]**

(C)

##### **A. Standard Features and Functions (Cont'd)**

##### **3. D-Channel Packet Switched Data Features**

###### X.25 Fast Select

This is a function of the CPE. It is used on a per-call basis allowing the user to send up to 128 octets in the user data field of the call request packet to a terminal with Fast Select Acceptance.

###### X.25 Flow Control Parameter Negotiation

This packet feature permits negotiation on a per-call basis of the flow control parameters associated with a given virtual call, such as packet size and window size for each direction of data transfer. The data window size and the maximum packet size is negotiated automatically during an X.25 data call.

###### X.25 Logical Channels

Virtual circuits rather than physical circuits are used to establish packet switch calls. When a virtual circuit is established, a logical channel is assigned at the CPE and the switch for the duration of the call. A virtual circuit does not use any capacity of the facility unless data is actually being transferred. Two logical channels are provided per DSL.

###### X.25 Reverse Charging

This is a function of the CPE. This packet function allows a user to assign billing to the called data telephone number on a per-call basis.

###### X.25 Throughput Class Negotiation

This packet feature permits negotiation on a per call basis of the throughput class for each direction of data transfer associated with a virtual call. The data terminal can negotiate the throughput class for an X.25 data call.

**[1] Effective June 1, 2023, Single Line ISDN Service is grandfathered for small business customers and will no longer be available to new small business customers.**

(N)  
|  
(N)

**14. INTEGRATED SERVICES DIGITAL NETWORK**

**14.2 BASIC RATE SERVICE OFFERINGS**

**14.2.1 SINGLE LINE ISDN SERVICE [1] (CONT'D)**

(C)

B. Optional Features and Functions

Additional Primary Directory Number

If more than two terminals are connected to a DSL, additional PDNs are required. Included with each PDN is the standard set of voice and data features. Rates and charges specified in C.4., following, apply for each additional PDN.

Analog Call Appearance

This feature enables analog station users to share their CA on a Single Line ISDN Service user's terminal. The user's analog service must be provisioned from the same serving central office as the Single Line ISDN Service. One appearance, per number, per terminal is allowed. Some analog services are not compatible with Single Line ISDN Service.

Call Pickup

Allows a user to answer a call at another station, even when the user's station does not have a CA for the called DN. While the other station is ringing, the user goes off-hook and enters a call pickup code or presses a call pickup feature button to answer the call.

(M)

(M)

**[1] Effective June 1, 2023, Single Line ISDN Service is grandfathered for small business customers and will no longer be available to new small business customers.**

(N)

(N)

(M) Material moved to Page 17.1, Release 1.

SID2023-07



**14. INTEGRATED SERVICES DIGITAL NETWORK**

**14.2 BASIC RATE SERVICE OFFERINGS**

(N)

**14.2.1 SINGLE LINE ISDN SERVICE [1] (CONT'D)**

(N)

**B. Optional Features and Functions**

(M)

Caller Identification Blocking - All Calls

This feature provides a permanent private indicator on a per station basis. Once the blocking is established on the station, the private status cannot be deactivated by the customer. Rates and charges are provided in C.4., following. Federal, State, and Local law enforcement agencies and non-profit domestic violence agencies may be provided additional arrangements for private status and/or all call blocking, on a per station basis, at no charge. Stations that share appearances of a restricted station must also be restricted to avoid passing caller identification information.

Calling Name Identification

With this feature, at the time of an incoming call, the name and number of the calling party is displayed on the called party's ISDN terminal. The called party may receive a private or unavailable indicator, in that case the caller's name and number will not be displayed. Calling Name Identification is used in conjunction with calling number identification which is part of the Display standard feature.

(M)

**[1] Effective June 1, 2023, Single Line ISDN Service is grandfathered for small business customers and will no longer be available to new small business customers.**

(N)

(N)

(M) Material moved from Page 17, Release 2.

SID2023-07

**14. INTEGRATED SERVICES DIGITAL NETWORK**

**14.2 BASIC RATE SERVICE OFFERINGS**

**14.2.1 SINGLE LINE ISDN SERVICE [1]**

(C)

**B. Optional Features and Functions (Cont'd)**

CLASS Features

• Call Rejection

This feature enables a customer to reject call attempts from up to 15 numbers of calling parties by dialing a code and the telephone numbers of calls to be rejected. Any call attempts to the customer from these numbers will be prevented from terminating to the customer and will instead be connected to an announcement informing the caller that the call is not presently being accepted by the called party.

• Continuous Redial

This feature allows a customer to dial a code that will cause the feature to automatically redial the last number the customer dialed. If the called number is busy, the feature will redial the called number for a limited period of time. A tone alerts the customer when the called number becomes available.

• Last Call Return

This feature allows a customer to automatically redial the number of the last incoming call to that line, whether the call was answered or not. The customer does not have to know the number of the calling party. If the called number is busy, the feature will redial the called number for a limited period of time. A tone alerts the customer when the called line is available.

• Priority Call

This feature allows a customer to assign a maximum of 15 callers' telephone numbers to a special list. The customer will hear a distinctive ring at their location, when calls are received from callers' telephone numbers on that list. The distinctive ring may be CPE dependent.

**[1] Effective June 1, 2023, Single Line ISDN Service is grandfathered for small business customers and will no longer be available to new small business customers.**

(N)  
|  
(N)

SID2023-07

**14. INTEGRATED SERVICES DIGITAL NETWORK**

**14.2 BASIC RATE SERVICE OFFERINGS**

**14.2.1 SINGLE LINE ISDN SERVICE [1]**

(C)

**B. Optional Features and Functions (Cont'd)**

• Selective Call Forwarding

This feature allows a customer to specify a special list of a maximum of 15 telephone numbers. Incoming calls placed to the customer from telephone numbers on that list will automatically be forwarded to a predefined telephone number. All other calls will be handled normally.

Key Short Hunt

This voice feature provides the capability for incoming calls to search a set of DN appearances on an ISDN set for an idle DN for call termination.

Hunting

Hunting is available for circuit-switched voice and data on PDNs.

Hunting will affect the operation or availability of some other optional features on the hunting B-channel. The features most often affected include forms of Call Forwarding, Speed Calling and others, depending on the Service Configuration. Call Forwarding features will override the hunting services

Hunting is done sequentially by terminal within the group. One or two B-channels are associated with each terminal in the group. One begin-hunt telephone number must be assigned to the first terminal within a Regular or Circular group of sequentially ordered terminals that form a Multiline Hunt Group (MLHG). Telephone numbers may be assigned, in any sequence, to terminals within a MLHG.

Multiline Hunt Service provides a hunting sequence that attempts to complete a call to the first available B-channel associated with the lead telephone number of the group. Busy tone is not sent to the caller unless all remaining B-channels in the hunt group list have been found busy. The call will be completed to the first available B-channel.

**[1] Effective June 1, 2023, Single Line ISDN Service is grandfathered for small business customers and will no longer be available to new small business customers.**

(N)  
|  
(N)

**14. INTEGRATED SERVICES DIGITAL NETWORK**

**14.2 BASIC RATE SERVICE OFFERINGS**

**14.2.1 SINGLE LINE ISDN SERVICE [1]**

(C)

B. Optional Features and Functions (Cont'd)

Multiline Hunt Service

MLHGs can be assigned two types of telephone numbers; begin-hunt and non-hunting telephone numbers. The begin-hunt telephone number has the multiline hunt feature and, when called, starts the hunting sequence associated with the hunt group. An MLHG must have at least one begin-hunt telephone number but can have essentially one per terminal in the group. Non-hunting telephone numbers can be assigned to terminals within a MLHG; these terminals do not have the multiline hunt feature. Incoming calls are terminated directly to the individual terminals.

- Regular hunting starts when a begin-hunt telephone number is called in a MLHG. Hunting proceeds in ascending order through each subsequent terminal in the group until an idle terminal is reached or the last (highest numbered) terminal in the group is reached.
- Circular hunting is provided optionally with regular hunting groups. Circular hunting occurs in these groups when the hunt for an idle terminal commences beyond the first terminal in the hunt group and finds all higher numbered terminals busy, the hunt returns to the first terminal in the group. The hunt ends with the terminal number preceding the terminal where the hunt in the group initially began.

This feature allows all terminals within a MLHG to be tested for busy regardless of the point of entry into the group before returning busy tone.

- Uniform Call Distribution (UCD) is a hunting arrangement that provides uniform termination call assignment (distribution) to members of a MLHG. UCD hunting does not include queuing or announcements.

[1] **Effective June 1, 2023, Single Line ISDN Service is grandfathered for small business customers and will no longer be available to new small business customers.**

(N)  
|  
(N)

**14. INTEGRATED SERVICES DIGITAL NETWORK**

**14.2 BASIC RATE SERVICE OFFERINGS**

**14.2.1 SINGLE LINE ISDN SERVICE [1]**

(C)

**B. Optional Features and Functions (Cont'd)**

Non-Standard Configuration Group

This is a terminal arrangement, associating buttons of a terminal with a feature, which differs from the standard arrangement.

Redirecting Number Delivery

This is a terminating user feature that allows the delivery of the redirecting number information to the user, to indicate that call forwarding has occurred. If the received call is a forwarded call, the first and last forwarding DNs will be delivered to the called party.

Series Completion Hunt

This voice feature automatically redirects a call from a busy DN to another specified DN.

Six-Way Conference

This feature allows the user to sequentially add up to five additional parties, and add them together to make a six-way call.

Speed Calling 8

This feature permits the user to dial pre-programmed numbers using fewer digits than normally required. It allows the customer to change speed calling lists directly from their terminal.

**[1] Effective June 1, 2023, Single Line ISDN Service is grandfathered for small business customers and will no longer be available to new small business customers.**

(N)  
|  
(N)

**14. INTEGRATED SERVICES DIGITAL NETWORK**

**14.2 BASIC RATE SERVICE OFFERINGS**

**14.2.1 SINGLE LINE ISDN SERVICE [1]**

(C)

B. Optional Features and Functions (Cont'd)

X.25 Fast Select Acceptance

This packet feature authorizes incoming packets from a sending data terminal equipped with Fast Select.

X.25 Reverse Charging Acceptance

This packet feature authorizes transmission of incoming calls identified as Reverse Charge calls.

C. Rates and Charges

1. Extended Area Service increments and the Optional Calling Plan rates and charges are applied per B-channel which carry circuit-switched voice and/or data traffic.
2. The standard package includes up to a total of six Call Appearances (CAs), per terminal. The CAs must include one Primary Directory Number (PDN). Analog CAs are not considered to be one of the six standard CAs.

Additional CAs are available at rates and charges specified, following.

**[1] Effective June 1, 2023, Single Line ISDN Service is grandfathered for small business customers and will no longer be available to new small business customers.**

(N)  
|  
(N)

**14. INTEGRATED SERVICES DIGITAL NETWORK**

**14.2 BASIC RATE SERVICE OFFERINGS**

**14.2.1 SINGLE LINE ISDN SERVICE [1]**

(C)

C. Rates and Charges (Cont'd)

3. Single Line ISDN Basic Rate Access (BRA) may be rate stabilized for a minimum of one year. The RSP offers length of term discounts for both nonrecurring charges and monthly rates. Single Line ISDN BRAs in quantities greater than 25 shall be priced on an Individual Case Basis. The following terms and conditions apply:
  - a. The customer may add Single Line Service at contracted rates during the term of the agreement subject to terms and conditions specified in individual customer contracts. Such additions will be coterminous with the original contract.
  - b. If the quantity of BRAs falls below a minimum billing level, the customer will be assessed a termination charge. Termination charges will be applied as specified in the Termination/Waiver Policy set forth in 2.2.14, preceding. There is no minimum service period.
  - c. RSP BRAs may be located at different addresses within the state but must be billed on one summary bill.
  - d. Service may be moved, for the same customer, to a different address within the state and retain the RSP, provided the new service is billed on the summary bill. Nonrecurring charges will apply to the new installation.
4. Following are the monthly rates and nonrecurring charges for Single Line ISDN Service. These rates and charges apply in addition to applicable rates and charges for other services as provided in this and other Company tariffs/catalogs.

Single Line ISDN Service Basic Rate Access is offered as business flat rated service. D-channel packet switching usage is included in the BRA monthly rates.

**[1] Effective June 1, 2023, Single Line ISDN Service is grandfathered for small business customers and will no longer be available to new small business customers.**

(N)  
|  
(N)

**14. INTEGRATED SERVICES DIGITAL NETWORK**

**14.2 BASIC RATE SERVICE OFFERINGS**

**14.2.1 SINGLE LINE ISDN SERVICE [1]**

(C)

C.4. (Cont'd)

- a. Basic Rate Access Including  
Standard Features and Functions

	<b>USOC</b>	<b>NONRECURRING CHARGE</b>	<b>MONTHLY RATE</b>
(1) Month-to-Month			
• Flat, per BRA	BAFHB	\$110.00	\$73.05
(2) Rate Stability Plan			
• Flat, per BRA	BAFTB		
- 1 year		93.50	71.59
- 2 years		82.50	70.13
- 3 years		55.00	68.67
- 5 years		—	65.75

**[1] Effective June 1, 2023, Single Line ISDN Service is grandfathered for small business customers and will no longer be available to new small business customers.**

(N)  
|  
(N)

SID2023-07



**14. INTEGRATED SERVICES DIGITAL NETWORK**

**14.2 BASIC RATE SERVICE OFFERINGS**

**14.2.1 SINGLE LINE ISDN SERVICE [2]**

(C)

C.4. (Cont'd)

b. Optional Features and Functions

	<b>USOC</b>	<b>NONRECURRING CHARGE</b>	<b>MONTHLY RATE</b>
• Additional Call Appearances, per appearance	ACS	\$10.00	\$ 1.00
• Additional Primary Directory Number, per PDN[1]	A6PPK	10.00	12.00
• Additional Secondary Directory Number, per SDN	A6QPN	10.00	1.00
• Additional Shared Call Appearance, per appearance	AS9	10.00	1.00
• Additional X.25 Logical Channel, per logical channel	NW9AL	10.00	–
• Analog Call Appearance, per terminal	MAZ	10.00	1.00

[1] Inherent with the purchase of an additional PDN are all of the standard voice and data features for Single Line ISDN Service.

[2] **Effective June 1, 2023, Single Line ISDN Service is grandfathered for small business customers and will no longer be available to new small business customers.**

(N)  
 |  
 (N)

**14. INTEGRATED SERVICES DIGITAL NETWORK**

**14.2 BASIC RATE SERVICE OFFERING**

**14.2.1 SINGLE LINE ISDN SERVICE [3]**

(C)

C.4.b. (Cont'd)

	<b>USOC</b>	<b>NONRECURRING CHARGE</b>	<b>MONTHLY RATE</b>
• Call Forwarding-Busy Line-All Calls, per number[1]	NQ5PN	\$10.00	—
• Call Forwarding-Don't Answer-All Calls, per number[1]	NQ6PN	10.00	—
• Call Forwarding-Variable-All Calls, per SDN[1]	NZGPN	10.00	—
• Call Pickup, per number	NZHPN	10.00	—
• Caller Identification Blocking-All Calls, per PDN[2]	NDD	10.00	—
• Calling Name Identification, per number	NMCPN	10.00	\$2.50

[1] Optional with additional SDNs.

[2] See 10.7.2, preceding, for the application of the nonrecurring charges.

[3] **Effective June 1, 2023, Single Line ISDN Service is grandfathered for small business customers and will no longer be available to new small business customers.**

(N)  
 |  
 (N)

**14. INTEGRATED SERVICES DIGITAL NETWORK**

**14.2 BASIC RATE SERVICE OFFERINGS**

**14.2.1 SINGLE LINE ISDN SERVICE [2]**

(C)

C.4.b. (Cont'd)

	USOC	NONRECURRING CHARGE	MONTHLY RATE
• CLASS Features			
- Call Rejection, per PDN	FKQPN	\$10.00	\$3.50
- Continuous Redial, per PDN	FKAPN	10.00	2.50
- Last Call Return, per PDN	FKDPN	10.00	2.00
- Priority Call, per PDN	NC8PN	10.00	2.00
- Selective Call Forwarding, per PDN	FKEPN	10.00	2.50
• Key Short Hunt			
- Per group	NHGPG	10.00	-
- Per number	NHGPN	10.00	2.00
• Multiline Hunt Service[1]			
- Circular Hunt,			
- Data, per B-channel	HDT	10.00	2.00
- Data, per group	HDTPG	10.00	-
- Voice, per B-channel	NZS	10.00	2.00
- Voice, per group	NZSPG	10.00	-
- Regular Hunt,			
- Data, per B-channel	N2D	10.00	2.00
- Data, per group	N2DPG	10.00	-
- Voice, per B-channel	NZQ	10.00	2.00
- Voice, per group	NZQPG	10.00	-

(M)

(M)

[1] There is no charge to change hunting arrangements due to the removal of a terminal(s) from a hunt group.

[2] **Effective June 1, 2023, Single Line ISDN Service is grandfathered for small business customers and will no longer be available to new small business customers.**

(N)

|

(N)

(M) Material moved to Page 28, Release 3.

SID2023-07

**14. INTEGRATED SERVICES DIGITAL NETWORK**

**14.2 BASIC RATE SERVICE OFFERING**

**14.2.1 SINGLE LINE ISDN SERVICE [2]**

(C)

C.4.b. (Cont'd)

	USOC	NONRECURRING CHARGE	MONTHLY RATE	
• Multiline Hunt Service[1] (Cont'd)				(T) (M)
- UCD Hunt,				
- Data, per B-channel	H6U	10.00	8.50	
- Data, per group	H6UPG	20.00	-	
- Voice, per B-channel	NZT	10.00	8.50	
- Voice, per group	NZTPG	20.00	-	(M)
• Non-Standard Configuration Group, per button	N3CPB	\$15.00	-	
• Redirecting Number Delivery, per number	RD7PN	10.00	\$2.00	
• Series Completion Hunt				
- Per group	SE3PG	10.00	-	
- Per number	SE3PN	10.00	2.00	
• Six-Way Conference, per terminal	NZ6PK	10.00	1.00	
• Speed Calling 8, per terminal	NN8PK	10.00	1.00	
• X.25 Fast Select Acceptance, per number	GXEPN	10.00	-	
• X.25 Reverse Charge Acceptance, per number	G5BPN	10.00	-	

[1] There is no charge to change hunting arrangements due to the removal of a terminal(s) from a hunt group. (M)

[2] **Effective June 1, 2023, Single Line ISDN Service is grandfathered for small business customers and will no longer be available to new small business customers.** (N)

(M) Material moved from Page 27, Release 2.

SID2023-07

**14. INTEGRATED SERVICES DIGITAL NETWORK**

**14.2 BASIC RATE SERVICE OFFERINGS**

**14.2.1 SINGLE LINE ISDN SERVICE [3]**

(C)

C. Rates and Charges (Cont'd)

	<b>USOC</b>	<b>NONRECURRING CHARGE</b>	<b>MONTHLY RATE</b>
5. Change Charges			
• Access changes made to a DSL will result in an access charge[1]	REA17	\$10.00	-
• Feature changes made to the standard package or optional features will result in a feature charge[1,2]	REA1B	10.00	-

[1] Only one change charge applies per service order. If multiple changes are made on a service order, the highest change charge will apply.

[2] Changes are allowed once, at no charge, in the standard package within the first 45 days following the installation date of new service. The waiver does not apply to changes resulting in a Non-Standard Configuration Group, or Optional Features purchased.

[3] **Effective June 1, 2023, Single Line ISDN Service is grandfathered for small business customers and will no longer be available to new small business customers.**

(N)  
 |  
 (N)

## 14. INTEGRATED SERVICES DIGITAL NETWORK

### 14.3 PRIMARY RATE SERVICE OFFERINGS

#### 14.3.1 PRIMARY RATE SERVICE

##### A. Description

The basic Primary Rate Service (PRS) structure consists of 23 B-channels and a D-channel, for a total transmission rate of 1.544 Mbps, which is equivalent to a T1 facility. Each 64 kbps B-channel carries user information such as voice calls, circuit-switched data, or video. The D-channel is a 64 kbps channel that is used to carry the control or signaling information.

Circuit-Switched Data PRS consists of 23B+D, which is equivalent to a T1 facility. The customer may use CPE to bond together 64 kbps B-channels for the transmission of circuit-switched data or video.

##### B. Definitions

###### 1. Service Configurations

###### 23B+D

This service configuration provides for 23 B-channels and 1 D-channel. The B-channels carry user information such as voice calls, circuit-switched data, or video, while the D-channel handles signaling information. When equipped, the D-channel can control a maximum of 479 B-channels. The B-channels may be provisioned on the same facility as the D-channel or on other PRS T1 facilities.

###### 24B

This service configuration provides for 24 B-channels. The B-channels carry user information such as voice calls, circuit-switched data, or video. The signaling information is provided by a D-channel on the first T1 facility.

###### 23B+Back-up D

This service configuration provides for 23 B-channels and a back-up D-channel. The back-up D-channel is used if the primary D-channel, which provides signaling for multiple T1 facilities, fails. All active calls are maintained during the switch-over to the back-up D-channel.

## **14. INTEGRATED SERVICES DIGITAL NETWORK**

### **14.3 PRIMARY RATE SERVICE OFFERING**

#### **14.3.1 PRIMARY RATE SERVICE**

##### **B. Definitions (Cont'd)**

##### **2. Network Connections**

##### Circuit-Switched Data Connection

A Circuit-Switched Data Connection is a central office translation that provisions 23 or 24 B-channels on a PRS T1 facility. All B-channels are dedicated with 2-way operation and have access to the exchange network. Incoming calls are restricted to circuit-switched data or video.

##### ISDN Trunk Connection

An ISDN Trunk Connection (TC) is a central office translation that provisions each B-channel in a PRS. The TC allows access to the exchange network. One ISDN Trunk Connection is required for each B-channel used in a PRS.

- Call-By-Call PRS

The PRS B-channels are configured to support inward and outward call flexibility predetermined by the customer's traffic flow.

- Dedicated PRS

Each B-channel is dedicated to inward, outward, or 2-way traffic.

##### Uniform Access Solution (UAS) Network Connection

The UAS network connection provides switching to the local exchange and toll networks, and includes the channel trunk-side configuration for the entire T1.

## **14. INTEGRATED SERVICES DIGITAL NETWORK**

### **14.3 PRIMARY RATE SERVICE OFFERINGS**

#### **14.3.1 PRIMARY RATE SERVICE**

##### **B. Definitions (Cont'd)**

##### **3. Standard Features**

###### Calling Number Identification

This feature displays the call identification information and the calling party's DN (including nonpublished and nonlisted DNs) prior to the call being answered. Callers have the ability to inhibit the display of calling party information to the terminating number.

###### Calling Number Identification Blocking-All Calls

All outgoing calls will be blocked for PRS customers where technically feasible as determined by the Company.

###### Direct Inward/Outward Dialing

Allows station users to place or receive calls by-passing the attendant.

###### Circuit-Switched Data

Allows the transmission of circuit-switched data on a voice channel.

##### **4. Optional Features**

###### 2B Channel Transfer

2B Channel Transfer allows the transfer of two independent calls when both calls have been answered or when one call has been answered and one call is alerting. Notification of transfer is given to transferred users.



## **14. INTEGRATED SERVICES DIGITAL NETWORK**

### **14.3 PRIMARY RATE SERVICE OFFERINGS**

#### **14.3.1 PRIMARY RATE SERVICE**

##### **B.4. (Cont'd)**

##### ISDN Calling Name Delivery (ICNAM)

ICNAM is a terminating feature that delivers to ISDN Class II Equipment, over a Primary Rate ISDN Interface, the original calling party name along with the calling party's telephone number. A private or unavailable indication will appear when the name is not available to the called customer.

##### ISDN Redirecting Number Delivery (RND)

RND provides not only the original calling number, but one or more numbers from which a call was redirected. If a call is redirected multiple times, both the first and the last redirecting numbers will be delivered. On calls forwarded, a redirecting reason is also provided to the RND subscriber indicating why a call was forwarded, e.g., the Call Forwarding Variable, Call Forwarding Busy, or Call Forwarding Don't Answer feature was active. When a call is forwarded multiple times, the first and last redirecting reasons will be provided to the RND subscriber.

##### **C. Terms and Conditions**

1. PRS is provided subject to the availability of central office facilities.
2. Each PRS consists of one T1 facility and one Service Configuration. A customer may request more than one PRS per premises.
3. Terms, conditions, rates and charges, as described for PRS, are in addition to the regular rates and charges for the service with which PRS is associated.
4. Some services are not available and/or compatible with PRS.

**14. INTEGRATED SERVICES DIGITAL NETWORK**

**14.3 PRIMARY RATE SERVICE OFFERING**

**14.3.1 PRIMARY RATE SERVICE**

C. Terms and Conditions (Cont'd)

5. Loop Diversity and Avoidance defined in the Private Line Transport Services Catalog is available with PRS.
  - a. Customers subscribing to Loop Diversity must also subscribe to additional PRS facilities and TCs for the secondary route.
  - b. Customers subscribing to Avoidance must pay DS1 Transport Mileage rates between the local serving office and the alternate serving office.
6. The PRS facility may be provided from a foreign central office or foreign exchange at the DS1 Transport Mileage rates. Associated charges will be applied to the PRS facility.
7. PRS offerings are not available for use by Commercial Mobile Radio Carriers, Private Mobile Radio Carriers and Interexchange Carriers in the provision of services to their customers. Other digital services are offered by the Company for interconnection specifically for these Carriers.
8. The PRS facility for all channels may be provisioned on an existing or new T3 facility.
9. PRS customers must subscribe to a minimum of one 23B+D Service Configuration.
10. *DID* numbers associated with PRS are found in 5.3.4, preceding. A *DID* Trunk Termination, also found in 5.3.4, preceding, is required for each inward or 2-way B-channel in a PRS.
11. Circuit-Switched Data PRS is only intended for data calls, including video.
12. ISDN PRS may terminate at an Interexchange Carrier Point of Presence (IXC POP) for data service only, terminating on the Internet by an Internet Service Provider (ISP). Voice service may not terminate at the IXC POP.

**14. INTEGRATED SERVICES DIGITAL NETWORK**

**14.3 PRIMARY RATE SERVICE OFFERING**

**14.3.1 PRIMARY RATE SERVICE**

**C. Terms and Conditions (Cont'd)**

13. ISDN Calling Name Delivery (CNAM) is an optional central office-based feature available for use with ISDN PRS. The Company may monitor the customer's usage of this feature to ensure that the customer's use of CNAM is consistent with applicable restrictions and limitations as listed below. Unacceptable use will result in the Company disabling the feature from future use.

Unacceptable use of ISDN CNAM includes, but is not limited to, any of the following situations:

- High volume, short duration calls that show a pattern inconsistent with calls intended for completion at the number called.
- Calls that originate and attempt to terminate or terminate on PRS facilities for the same subscriber at the same physical location.
- Using Caller ID digits other than those belonging to the PRS subscriber.

If the Company has any reason to believe a customer is using ISDN CNAM in an unacceptable manner as defined above, the Company will immediately disable the feature without notice to the customer. Further, once the Company has disabled the ISDN CNAM for reasons of unacceptable use, the feature will not be restored during the life of the PRS service.

**Qwest Corporation d/b/a CenturyLink QC**  
**Exchange and Network**  
**Services Catalog No. 1**

**SECTION 14**  
Page 35  
Release 4

**SOUTHERN IDAHO**  
Issued: 05-18-2017

Effective: 05-22-2017

**14. INTEGRATED SERVICES DIGITAL NETWORK**

**14.3 PRIMARY RATE SERVICE OFFERING**

**14.3.1 PRIMARY RATE SERVICE**

C. Terms and Conditions (Cont'd)

14. Cancellation of Application For Service

- a. A customer may cancel an order for the installation of service at any time prior to notification by the Company that service is available for the customer's use **as set forth in Section 2.2.1.B.** (T)
- b. Certain Critical Dates as specified in c., following, are used by the Company to monitor the service order provisioning process. Cancellation charges are based on the estimated costs incurred by the Company at the time the order is cancelled. The Company monitors which Critical Date was last scheduled and determines what percentage of the Company's provisioning costs have been incurred as of that Critical Date. A list of Critical Dates and the number of days between each date is found in the Service Interval Guide. (T)

Costs incurred in conjunction with the provision of Primary Rate Service start on the Application Date as defined in c., following. When the customer cancels an order prior to the Application Date, no charges shall apply. When the customer cancels an order on or after the Application Date, a charge determined as specified in d. and e., following shall apply. When a customer cancels an order or part of an order, on or after the original Service Date, the Cancellation Charge will apply as set forth in d., and e., following.

- c. The Critical Dates monitored by the Company for the purpose of calculating a Cancellation Charge are as follows:
  - Application Date (APP): The date the customer provides a firm commitment and sufficient information to the Company for order placement. The APP Date is the date the Company enters the order into the Company's order distribution system(s). This is sometimes referred to as the order date.
  - Design Layout Report Date (DLRD): The date the Design Layout Report which contains the design for the service(s) ordered is forwarded to the customer.
  - Plant Test Date (PTD): The date acceptance testing is performed with the customer.
  - Service Date (DD): The date the service is due to be made available to the customer. This is sometimes referred to as the Due Date.

SID2017-005

**Qwest Corporation d/b/a CenturyLink QC**  
**Exchange and Network**  
**Services Catalog No. 1**

**SECTION 14**  
Page 36  
Release 3  
Effective: 8-31-2012

**SOUTHERN IDAHO**  
Issued: 8-21-2012

**14. INTEGRATED SERVICES DIGITAL NETWORK**

**14.3 PRIMARY RATE SERVICE OFFERING**

**14.3.1 PRIMARY RATE SERVICE**

C.14. (Cont'd)

d. When a customer cancels an order prior to the Service Date, the Company will multiply the Cancellation Charge, specified in D.7., following, by the percentage shown below, based on the last monitored Critical Date which has occurred on the order.

e. The Critical Dates monitored by the Company are as follows:

	<b>APP</b>	<b>DLRD</b>	<b>PTD</b>	<b>DD</b>
	%	%	%	%
• Primary Rate Service	13	44	77	[1]

f. When a customer cancels an order for the discontinuance of service, no charges apply for the cancellation.

g. If the Company misses a service date due to circumstances over which it has direct control (excluding, e.g., acts of God, governmental requirements, work stoppages and civil commotions), the customer may cancel an order without incurring cancellation charges.

h. A request for cancellation after completion of an installation will be treated as a discontinuance of service.

i. PRS may not be used to exchange Toll VoIP-PSTN Traffic, as defined by the Federal Communications Commission in FCC 11-161, In the Matter of Developing a Unified Intercarrier Compensation Regime, issued, December 29, 2011.

(N)  
|  
(N)

[1] Minimum billing period charges and Cancellation Charges apply when an order, or part of an order, is cancelled on or after the original Service Date.

**14. INTEGRATED SERVICES DIGITAL NETWORK**

**14.3 PRIMARY RATE SERVICE OFFERINGS**

**14.3.1 PRIMARY RATE SERVICE (Cont'd)**

D. Rates and Charges

1. Transport

	<b>USOC</b>	<b>NONRECURRING CHARGE</b>	<b>MONTHLY RATE</b>
• Stand alone T1 facility, per 24 channel facility[1]	ZPT1X	\$1,100.00	\$150.00
• T1 facility, provisioned on a T3, per T1 facility activated[1]	ZP3	1,100.00	—
2. Service Configuration			
• 23B+D	ZPAZD	1,025.00	400.00
• 24B	ZPA1X	1,025.00	400.00
• 23B+Back-up D	ZPAZA	1,025.00	400.00
3. ISDN Trunk Connection, per B-Channel[2]			
• Call-By-Call[3]	PT31C	72.00	23.30

[1] One Service Configuration is required for each T1 facility.

[2] ISDN Trunk Connection charges do not apply to B-channels on Circuit-Switched Data PRS or UAS.

[3] Requires a *DID* trunk circuit termination. See 5.3.4, preceding, for terms and conditions, rates charges applicable to Direct-Inward-Dialing (*DID*) Service.

**14. INTEGRATED SERVICES DIGITAL NETWORK**

**14.3 PRIMARY RATE SERVICE OFFERING**

**14.3.1 PRIMARY RATE SERVICE**

D.3. (Cont'd)

	<b>USOC</b>	<b>NONRECURRING CHARGE</b>	<b>MONTHLY RATE</b>
• Dedicated			
- Inward[1]	PT311	\$ 72.00	\$ 23.30
- Outward	PT31O	72.00	23.30
- 2-Way[1]	PT312	72.00	23.30
4. Circuit-Switched Data Connection, per T1 facility			
• 23B data only channels	PT3TA	1,265.00	583.00
• 24B data only channels	PT3TB	1,340.00	608.00
5. UAS Network Connections, per T1 facility			
• UAS Network Connection	NWO	1,200.00	1,100.00
• Two-Way Network Connection	NWO2X	1,200.00	1,100.00
• In-Only Network Connection	NWO1X	1,200.00	1,100.00
6. Optional Features, per T1 facility			
• 2B Channel Transfer	ZPTMX	100.00	25.00
• ISDN Calling Name Delivery	NM1PP	175.00	20.00
• ISDN Redirecting Number Delivery	RN4PP	55.00	7.00

[1] Requires a *DID* trunk circuit termination. See 5.3.4, preceding, for terms and conditions, rates charges applicable to Direct-Inward-Dialing (*DID*) Service.

**14. INTEGRATED SERVICES DIGITAL NETWORK**

**14.3 PRIMARY RATE SERVICE OFFERING**

**14.3.1 PRIMARY RATE SERVICE**

**D. Rates and Charges (Cont'd)**

7. Nonrecurring charges apply as follows:

	<b>NONRECURRING CHARGE</b>
• All miscellaneous changes or rearrangements of facilities, per facility	\$ 50.00
• Cancellation Charge	1,500.00
• Rollover Charge	
- Move existing DS1 to DS3 on vacant channels	325.00
• Moving current customer T1 facility	
- Within same central office	500.00
- Outside current central office	1,000.00

[1] Requires a *DID* trunk circuit termination. See 5.3.4, preceding, for terms and conditions, rates charges applicable to Direct-Inward-Dialing (*DID*) Service.



**14. INTEGRATED SERVICES DIGITAL NETWORK**

**14.3 PRIMARY RATE SERVICE OFFERINGS**

**14.3.1 PRIMARY RATE SERVICE**

**D. Rates and Charges (Cont'd)**

**8. Primary Rate Service Rate Stability Plan**

- a. The Primary Rate Service Rate Stability Plan (RSP) is an optional payment arrangement for T1 facilities and Service Configurations for customers who agree to continue to subscribe to PRS facilities for a 3- to 10-year period, and/or Discounted T1 Facilities, Trunk Connections, and UAS Network Connections for 3- or 5-year periods. *DID* trunk terminations are packaged in the rate stabilized in-only and two-way Trunk Connections. Customers who subscribe to a RSP are guaranteed against Company initiated changes in monthly rates.
- b. Any additions of PRS facilities/Service Configurations to an existing RSP service are permitted with rates and charges as specified in 1. and 2., preceding, or by subscribing to a separate RSP.
- c. Early termination charges will apply if a RSP is terminated in whole or in part by the customer, or is terminated for cause by the Company. The customer must give 30 days written notice of termination. The Termination Liability/Waiver Policy specified in 2.2.14, preceding, applies.
  - (1) If the customer terminates the RSP prior to the installation date, the customer shall pay termination charges including but not limited to: all engineering, planning, preparation, materials, supplies, placement, facilities, acquisition, transportation, installation, construction, and labor costs and charges incurred by the Company.
  - (2) If the customer terminates the RSP after the date of installation but prior to the expiration of the 3- to 10-year RSP, termination charges will apply as specified in the Termination Liability/Waiver Policy, set forth in 2.2.14, preceding.
  - (3) If a PRS facility is moved to an existing DS3 facility and the Waiver Policy conditions are met, termination charges will not apply.

**14. INTEGRATED SERVICES DIGITAL NETWORK**

**14.3 PRIMARY RATE SERVICE OFFERING**

**14.3.1 PRIMARY RATE SERVICE**

D.8. (Cont'd)

- d. The Company and any customer who agrees to accept the RSP will enter into a written agreement whose terms and conditions will be consistent with this Catalog. Certain applications of the PRS service may require additional terms and conditions on an Individual Case Basis. PRS DS1 facility, common equipment, and network connections in quantities greater than 3 shall be priced on an Individual Case Basis.
- e. Customers migrating from Analog PBX Trunk Service, Digital Switched Service or Uniform Access Solution will receive one month credit when entering into a 1-year RSP, two month credit when entering into a 2-year RSP, three month credit when entering into a 3- or 5-year RSP, and a waiver of nonrecurring charges when entering into a 1-, 2-, 3- or 5-year RSP.
- f. Transport

	USOC	NONRECURRING CHARGE	STABILIZED MONTHLY RATE
• T1 facility			
- 3 Years	ZPT13	\$1,100.00	\$126.90
- 5 Years	ZPT15	1,100.00	109.98
- 7 Years	ZPT17	1,100.00	108.57
- 10 Years	ZPT10	1,100.00	105.75
• Discounted T1 facility[1]			
- 3 Years	ZPTG3	550.00	126.90
- 5 Years	ZPTG5	—	109.98
• Discounted T1 facility, provisioned on a T3, per T1 facility activated[1,2,3]			
- 3 Years	ZP3H3	550.00	—
- 5 Years	ZP3H5	—	—

[1] Requires a 3- or 5-year contract for ISDN Trunk Connections in addition to this rate.

[2] One Service Configuration is required for each T1 facility.

[3] Also requires a T3 facility and multiplexing specified elsewhere.

**14. INTEGRATED SERVICES DIGITAL NETWORK**

**14.3 PRIMARY RATE SERVICE OFFERINGS**

**14.3.1 PRIMARY RATE SERVICE**

D.8. (Cont'd)

g. Service Configurations

	<b>USOC</b>	<b>STABILIZED NONRECURRING CHARGE</b>	<b>STABILIZED MONTHLY RATE</b>
• 23B+D			
- 3 Years	ZPXB3	\$1,100.00	\$340.00
- 5 Years	ZPXB5	1,100.00	292.00
- 7 Years	ZPXB7	1,100.00	280.00
- 10 Years	ZPXBO	1,100.00	280.00
• 24B			
- 3 Years	ZPXC3	1,100.00	340.00
- 5 Years	ZPXC5	1,100.00	292.00
- 7 Years	ZPXC7	1,000.00	280.00
- 10 Years	ZPXCO	1,100.00	280.00
• 23B+Back-up D			
- 3 Years	ZPXD3	1,100.00	340.00
- 5 Years	ZPXD5	1,100.00	292.00
- 7 Years	ZPXD7	1,100.00	280.00
- 10 Years	ZPXDO	1,100.00	280.00

**14. INTEGRATED SERVICES DIGITAL NETWORK**

**14.3 PRIMARY RATE SERVICE OFFERINGS**

**14.3.1 PRIMARY RATE SERVICE**

D.8. (Cont'd)

h. Discounted Service Configurations[1]

	<b>USOC</b>	<b>STABILIZED NONRECURRING CHARGE</b>	<b>STABILIZED MONTHLY RATE</b>
• 23B+D			
- 3 Years	ZPXJ3	\$550.00	\$340.00
- 5 Years	ZPXJ5	—	292.00
• 24B			
- 3 Years	ZPKK3	550.00	340.00
- 5 Years	ZPKK5	—	292.00
• 23B+Back-up D			
- 3 Years	ZPXL3	550.00	340.00
- 5 Years	ZPXL5	—	292.00

[1] Requires a 3- or 5-year contract for ISDN Trunk Connections in addition to this rate.

**14. INTEGRATED SERVICES DIGITAL NETWORK**

**14.3 PRIMARY RATE SERVICE OFFERINGS**

**14.3.1 PRIMARY RATE SERVICE**

D.8. (Cont'd)

i. ISDN Trunk Connection, per B-channel

	USOC	STABILIZED NONRECURRING CHARGE	STABILIZED MONTHLY RATE
• 3-Year Plan			
- Call-By-Call			
- 2-Way[1]	PT332	\$ 61.00	\$ 70.30
- Dedicated			
- Inward[1]	PT331	61.00	70.30
- Outward	PT330	36.00	23.30
- 2-Way[1]	PT332	61.00	70.30
• 5-Year Plan			
- Call-By-Call			
- 2-Way[1]	PT332	—	65.30
- Dedicated			
- Inward[1]	PT351	—	65.30
- Outward	PT350	—	23.30
- 2-Way[1]	PT352	—	65.30

j. UAS Network Connections,  
per T1 facility

• 3-Year Plan			
- Two-Way	NWO23	600.00	1,100.00
- In-Only	NWO13	600.00	1,100.00
• 5-Year Plan			
- Two-Way	NWO25	—	1,100.00
- In-Only	NWO15	—	1,100.00

[1] Separate *DID* Trunk Termination charges do not apply.

14. INTEGRATED SERVICES DIGITAL NETWORK

14.3 PRIMARY RATE SERVICE OFFERINGS

14.3.1 PRIMARY RATE SERVICE

D. Rates and Charges (Cont'd)

9. The following rates apply for a bulk rated ISDN Primary Rate Service arrangement and are only available on a Rate Stabilized basis. The rate includes a PRS T1 facility and common equipment, a 23B+D, 24B, or 23B+D Backup Service Configuration and 23 Voice and Data trunks provisioned as In-only with DID, Out-only or Two-way with DID or a UAS Network Connection.

	USOC	NONRECURRING CHARGE	STABILIZED MONTHLY RATE
• PRS T1 facility and Common Equipment with 23 Voice and Data trunks			
- 1-Year Plan	ZPG61	—	\$775.00
- 2-Year Plan	ZPG62	—	725.00
- 3-Year Plan	ZPG63	—	625.00
- 5-Year Plan	ZPG65	—	550.00
• PRS T1 facility and Common Equipment provisioned on a DS3 with 23 Voice and Data trunks			
- 1-Year Plan	ZPG71	—	775.00
- 2-Year Plan	ZPG72	—	700.00
- 3-Year Plan	ZPG73	—	600.00
- 5-Year Plan	ZPG75	—	525.00

**14. INTEGRATED SERVICES DIGITAL NETWORK**

**14.3 PRIMARY RATE SERVICE OFFERINGS**

**14.3.1 PRIMARY RATE SERVICE**

D.9. (Cont'd)

	<b>USOC</b>	<b>NONRECURRING CHARGE</b>	<b>STABILIZED MONTHLY RATE</b>
• PRS T1 facility and Common Equipment with UAS Network Connection			
- 1-Year Plan	ZPG81	—	\$725.00
- 2-Year Plan	ZPG82	—	675.00
- 3-Year Plan	ZPG83	—	575.00
- 5-Year Plan	ZPG85	—	500.00
• PRS T1 facility and Common Equipment provisioned on a DS3 with UAS Network Connection			
- 1-Year Plan	ZPG91	—	725.00
- 2-Year Plan	ZPG92	—	650.00
- 3-Year Plan	ZPG93	—	550.00
- 5-Year Plan	ZPG95	—	475.00

**14. INTEGRATED SERVICES DIGITAL NETWORK**

**14.3 PRIMARY RATE SERVICE OFFERINGS**

**14.3.1 PRIMARY RATE SERVICE**

**D. Rates and Charges (Cont'd)**

10. In remote central offices where ISDN Primary Rate Service (PRS) is not deployed, but can be provided from the host switch, the service will be provided with DID telephone numbers from the remote (serving) central office. Customers requesting DID telephone numbers from the host switch will be billed interoffice mileage charges. The following rates apply for PRS in a remote switch provisioned with remote central office telephone numbers. The service will be offered on a BULK rated basis only. The rate includes a PRS T1 facility and common equipment, interoffice transport, a 23B+D, 24B, or 23B+D Back-up Service Configuration and 23 Voice and Data trunks provisioned as In-only with DID, Out-only or Two-way with DID or a UAS Network Connection.

	<b>USOC</b>	<b>NONRECURRING CHARGE</b>	<b>MONTHLY RATE</b>
• PRS T1 facility and Common Equipment with 23 Voice and Data trunks			
- 1-Year Plan	ZPGW1	—	\$825.00
- 2-Year Plan	ZPGW2	—	775.00
- 3-Year Plan	ZPGW3	—	675.00
- 5-Year Plan	ZPGW5	—	600.00



**14. INTEGRATED SERVICES DIGITAL NETWORK**

**14.3 PRIMARY RATE SERVICE OFFERINGS**

**14.3.1 PRIMARY RATE SERVICE**

D. Rates and Charges (Cont'd)

11. Idaho ISDN Rates

- a. Special rates apply for customers ordering ISDN PRS service in certain central offices. Rates apply for bulk-rated ISDN Primary Rate Service Arrangements that are provisioned from these specific offices.

The special rate is available on a Rate Stabilized basis in the following central offices:

<b>CENTRAL OFFICE NAME</b>	<b>CENTRAL OFFICE CODE</b>
Boise Main 5ESS	BOISIDMADS3
Boise Main DMS	BOISIDMADS0
Boise West	BOISIDWEDS0
Idaho Falls	IDFLIDMADS1
Meridian	MRDNIDMADS0
Nampa	NMPAIDMADS0
Pocatello Main	PCTLIDMADS1
Twin Falls	TWFLIDMADS0

- b. The rate includes a PRS T1 facility and common equipment, a 23B+D, 24B or 23B+D Backup Service Configuration and 23 Voice and Data trunks provisioned as In-only with DID, Out-only or Two-way with DID or a UAS Network Connection.

**Qwest Corporation d/b/a CenturyLink QC**

**Exchange and Network  
Services Catalog No. 1**

**SECTION 14**

Page 46.3

Release 3

Effective: 6-15-2013

Idaho Public Utilities Commission

Office of the Secretary

**ACCEPTED FOR FILING**

June 15, 2013

Boise, Idaho

**SOUTHERN IDAHO**

Issued: 6-5-2013

**14. INTEGRATED SERVICES DIGITAL NETWORK**

**14.3 PRIMARY RATE SERVICE OFFERINGS**

**14.3.1 PRIMARY RATE SERVICE**

D.11.b. (Cont'd)

	<b>USOC</b>	<b>NONRECURRING CHARGE</b>	<b>MONTHLY RATE</b>
• PRS T1 facility and Common Equipment with 23 Voice and Data trunks			
- 1-Year Plan	ZPGU1	—	\$725.00
- 2-Year Plan	ZPGU2	—	630.00
- 3-Year Plan	ZPGU3	—	580.00
- 5-Year Plan	ZPGU5	—	530.00
• PRS T1 facility and Common Equipment with 23 Voice and Data trunks from RCO[1]			
- 1-Year Plan	ZPGZ1	—	775.00
- 2-Year Plan	ZPGZ2	—	680.00
- 3-Year Plan	ZPGZ3	—	630.00
- 5-Year Plan	ZPGZ5	—	580.00

[1] There will be no additional discounts for services riding a DS3.

**Qwest Corporation d/b/a CenturyLink QC**

**Exchange and Network  
Services Catalog No. 1**

**SECTION 14**

Page 46.4

Release 3

Idaho Public Utilities Commission

Office of the Secretary  
**ACCEPTED FOR FILING**

June 15, 2013

Boise, Idaho

**SOUTHERN IDAHO**

Issued: 6-5-2013

Effective: 6-15-2013

**14. INTEGRATED SERVICES DIGITAL NETWORK**

**14.3 PRIMARY RATE SERVICE OFFERINGS**

**14.3.1 PRIMARY RATE SERVICE**

D.11.b. (Cont'd)

	<b>USOC</b>	<b>NONRECURRING CHARGE</b>	<b>MONTHLY RATE</b>
• Bulk Rated UAS DS1[1]			
- 1-Year Plan	ZPHG1	—	\$725.00
- 2-Year Plan	ZPHG2	—	630.00
- 3-Year Plan	ZPHG3	—	580.00
- 5-Year Plan	ZPHG5	—	530.00
• Bulk Rated Voice and Data DS3[1]			
- 1-Year Plan	ZPHF1	—	725.00
- 2-Year Plan	ZPHF2	—	605.00
- 3-Year Plan	ZPHF3	—	555.00
- 5-Year Plan	ZPHF5	—	505.00
• Bulk Rated UAS DS3[1]			
- 1-Year Plan	ZPHH1	—	725.00
- 2-Year Plan	ZPHH2	—	605.00
- 3-Year Plan	ZPHH3	—	555.00
- 5-Year Plan	ZPHH5	—	505.00

[1] There will be no additional discounts for services riding a DS3.

**14. INTEGRATED SERVICES DIGITAL NETWORK**

**14.3 PRIMARY RATE SERVICE OFFERINGS**

**14.3.1 PRIMARY RATE SERVICE**

D.11.b. (Cont'd)

	<b>USOC</b>	<b>NONRECURRING CHARGE</b>	<b>MONTHLY RATE</b>
• Bulk Rated VoIP DS1[1]			
- 1-Year Plan	ZPHJ1	—	\$725.00
- 2-Year Plan	ZPHJ2	—	605.00
- 3-Year Plan	ZJHJ3	—	555.00
- 5-Year Plan	ZPHJ5	—	505.00
• Bulk Rated VoIP DS3[1]			
- 1-Year Plan	ZPGK1	—	725.00
- 2-Year Plan	ZPGK2	—	605.00
- 3-Year Plan	ZPGK3	—	555.00
- 5-Year Plan	ZPGK5	—	505.00

[1] There will be no additional discounts for services riding a DS3.

**14. INTEGRATED SERVICES DIGITAL NETWORK**

**14.3 PRIMARY RATE SERVICE OFFERINGS (Cont'd)**

**14.3.2 RESERVED FOR FUTURE USE**

**14.3.3 PRIMARY RATE SERVICE (PRS) BUNDLE**

(N)

A. Description

Primary Rate Service (PRS) Bundle is an optional business service enrollment plan. This offering permits a customer to receive features and services for a flat monthly rate for each bundle provided. PRS Bundle includes the following features and services:

1. Bulk rate Integrated Services Digital Network Primary Rate Service, consisting of 23B+D and 23 Voice and Data trunks provisioned as Two-way with DID
2. Up to 100 Direct-Inward-Dialing (DID) Numbers (in blocks of 20) -Optional
3. Primary Rate Service Standard Features
4. ISDN Calling Name Delivery (ICNAM)

B. Terms and Conditions

1. Unless specified otherwise in this section, the regulations for Integrated Services Digital Network Primary Rate Service, including Service Charges, apply in addition to the regulations herein.
2. Service Charges do not apply when PRS Bundle replaces existing Local Exchange Service.
3. Unless specified otherwise in this section, the regulations for Direct-Inward-Dialing (DID) Service, including Non-recurring and Installation Charges, set forth in Section 5.3, apply in addition to the regulations herein.

(N)

**14. INTEGRATED SERVICES DIGITAL NETWORK**

**14.3 PRIMARY RATE SERVICE OFFERINGS**

**14.3.3 PRIMARY RATE SERVICE (PRS) BUNDLE**

B. Terms and Conditions (Cont'd)

(N)

4. Customers may activate all 100 DID numbers included in the bundle rate concurrent with installation of service or may activate the numbers in blocks of 20. When a customer activates fewer than 100 numbers concurrent with establishment of service, Service Charges do not apply for the initial or subsequent activations of 20-number blocks (up to 100 numbers).
5. Customers may order additional DID numbers, in excess of 100 for an individual PRS Bundle, subject to availability, at the rates specified in Section 5.3 of this tariff. Nonrecurring Charges apply for subsequent activation of numbers beyond those included in the bundle.
6. The Optional Features available for Primary Rate Service are available with PRS Bundle at the rates specified in Section 14.3.1.
7. PRS Bundle is available under the term commitments of 1, 2 3, and 5 years on a Rate Stabilized basis. Termination Liability Charges set forth in Section 2 apply.
8. Unless terminated by the PRS Bundle customer or the Company, a customer will remain enrolled in the PRS Bundle, as amended from time to time, with any applicable changes in rate, for as long as the PRS Bundle continues to be offered by the Company. If any features or services in the bundle are discontinued by the customer, the remaining features and services will be charged the normal tariff rate or charge.
9. Customers enrolled in the bundle, who subsequently become subject to Company initiated toll restriction will have all existing PRS Bundle lines converted to the applicable tariff rates. Service Charges will not apply for those existing lines converted, in-place, due to termination procedures. In addition, any optional services not affected by the termination procedures will convert to their applicable tariff rates. Such customers will not be permitted to re-enroll in this bundle until such time as all associated unpaid balances are satisfactorily paid in full.

**Qwest Corporation d/b/a CenturyLink QC**  
**Exchange and Network**  
**Services Catalog No. 1**

**SECTION 14**  
Page 49  
Release 2  
Effective: 4-26-2012

**SOUTHERN IDAHO**  
Issued: 4-16-2012

**14. INTEGRATED SERVICES DIGITAL NETWORK**

**14.3 PRIMARY RATE SERVICE OFFERINGS**

**14.3.3 PRIMARY RATE SERVICE (PRS) BUNDLE (Cont'd)**

(N)

C. Rates and Charges

The following rates apply when the customer's serving central office is the host switch from which ISDN Primary Rate Service is deployed and when the customer is served by a remote central office (RCO) where ISDN Primary Rate Service is not deployed, but can be provided from the host switch. DID telephone numbers will be provided from the customer's serving central office. If a RCO customer requests DID telephone numbers from the host switch, interoffice mileage charges will apply.

Host Switch

<b>Term Period</b>	<b>Group 2[1]</b>	<b>All Other</b>	<b>Nonrecurring Charge</b>
1 Year	\$ 760.00	\$ 810.00	\$0.00
2 Years	665.00	760.00	0.00
3 Years	615.00	660.00	0.00
5 Years	565.00	585.00	0.00

Remote Central Office

<b>Term Period</b>	<b>Group 2[1]</b>	<b>All Other</b>	<b>Nonrecurring Charge</b>
1 Year	\$ 810.00	\$ 860.00	\$0.00
2 Years	715.00	810.00	0.00
3 Years	665.00	710.00	0.00
5 Years	615.00	635.00	0.00

[1] See Section 14.3.1.D.11.a. for list of Group 2 Central Office Names and Codes.

---

**14. INTEGRATED SERVICES DIGITAL NETWORK**

**14.4 INDIVIDUAL CASE ISDN**

A. General

Customers requiring ISDN features not offered by the Catalog will be considered on an individual case basis. Customers who want to migrate to Single Line ISDN Service or Primary Rate Service can do so without any penalties. However, this will result in changes to the existing service which is based on different technical standards and features.

B. Network Access Registers or Trunk Connections are required to provide connections with other switching arrangements and the exchange and toll network, and are subject to charges and applications as specified in 5.3.3 or 14.3.1, preceding.

C. The contract period offered will be negotiable between the Company and the customer.

D. The USOCs applicable for ISDN charges will be specified on the associated contract.



**Qwest Corporation d/b/a CenturyLink QC**

**Exchange and Network  
Services Catalog No. 1**

**SECTION 114**

Index Page 1

Release 3

Effective: 6-15-2013

Idaho Public Utilities Commission

Office of the Secretary

**ACCEPTED FOR FILING**

June 15, 2013

Boise, Idaho

**SOUTHERN IDAHO**

Issued: 6-5-2013

**114. OBSOLETE INTEGRATED SERVICES DIGITAL NETWORK**

<b>SUBJECT</b>	<b>PAGE</b>
Primary Rate Service Offerings .....	2
<i>PURCHASE PLUS REWARD</i> Plan For ISDN .....	2

**Qwest Corporation d/b/a CenturyLink QC**

**Exchange and Network  
Services Catalog No. 1**

**SECTION 114**

Page 1

Release 3

Effective: 6-15-2013

Idaho Public Utilities Commission

Office of the Secretary

**ACCEPTED FOR FILING**

June 15, 2013

Boise, Idaho

**SOUTHERN IDAHO**

Issued: 6-5-2013

---

**114. OBSOLETE INTEGRATED SERVICES DIGITAL NETWORK**

**114.2 RESERVED FOR FUTURE USE**

**114.2.1 RESERVED FOR FUTURE USE**

**114. OBSOLETE INTEGRATED SERVICES DIGITAL NETWORK**

**114.3 PRIMARY RATE SERVICE OFFERINGS**

**114.3.2 PURCHASE PLUS REWARD PLAN FOR ISDN**

Effective April 16, 2010, *PURCHASE PLUS REWARD* Plan For ISDN is grandfathered to current customers for the life of their contract and will not be offered to new customers.

A. Description

1. *PURCHASE PLUS REWARD* Plan For ISDN is an offering available to business customers who enter into a one-year, two-year or three-year *TOTAL ADVANTAGE* Express (QTA Express) Agreement or *TOTAL ADVANTAGE* (QTA) Agreement, and who agree to increase their monthly spend under QTA Express or QTA. Descriptions of QTA Express and QTA are found in 2.16, preceding.
2. When a customer increases their monthly spend on Qwest products or services included in the QTA Express and/or QTA Agreements, a discount will be applied to the 36 and 60 month contract rates of *QWEST* Primary Rate ISDN.

B. Terms and Conditions

1. A maximum of ten Qwest Primary Rate ISDN facilities may receive *PURCHASE PLUS REWARD* discounts per customer.
2. Terms, conditions, rates and charges specified elsewhere for qualifying lines and packages apply. Customers may subscribe to additional products and services, however, subsequent increases will not affect the monthly discount level unless the customer signs a new term agreement.
3. The discount will appear as a credit(s) on the customer's monthly bill. No partial month's credit(s) can be provided. The discounts in C.1., following, apply to each qualifying line and/or package subscribed to by the customer under this plan.

**114. OBSOLETE INTEGRATED SERVICES DIGITAL NETWORK**

**114.3 PRIMARY RATE SERVICE OFFERINGS**

**114.3.2 PURCHASE PLUS REWARD PLAN FOR ISDN (Cont'd)**

*C. PURCHASE PLUS REWARD Plan Discounts*

1. The monthly discounts are based on the following level of increased spend within QTA Express or QTA Agreement.
  - a. Discount for customers spending up to \$2,999 monthly.

<b>INCREASED QTA EXPRESS/QTA SPEND</b>	<b>DISCOUNTED SERVICE</b>	<b>MONTHLY DISCOUNT</b>
--	-------------------------------	-----------------------------

- 3 Year QTA Term

3 Year Primary Rate ISDN Contract[1]

\$100 - \$499	15%
\$500 - \$999	17%
\$1,000+	22%

5 Year Primary Rate ISDN Contract[2]

\$100 - \$499	25%
\$500 - \$999	27%
\$1,000+	32%

[1] Discount may only be applied to ISDN Primary Rate Service USOC "ZPG63" as described in 14.3.1, preceding.

[2] Discount may only be applied to ISDN Primary Rate Service USOC "ZPG65" as described in 14.3.1, preceding.

**114. OBSOLETE INTEGRATED SERVICES DIGITAL NETWORK**

**114.3 PRIMARY RATE SERVICE OFFERINGS**

**114.3.2 PURCHASE PLUS REWARD PLAN FOR ISDN**

C.1. (Cont'd)

b. Discount for customers spending \$3,000 to \$25,000 monthly.

	<b>INCREASED QTA EXPRESS/QTA SPEND</b>	<b>DISCOUNTED SERVICE</b>	<b>MONTHLY DISCOUNT</b>
• 3 Year QTA Term			
	3 Year Primary Rate ISDN Contract[1]		
	\$700 - \$1,399		15%
	\$1,400 - \$2,499		17%
	\$2,500+		22%
	5 Year Primary Rate ISDN Contract[2]		
	\$700 - \$1,399		25%
	\$1,400 - \$2,499		27%
	\$2,500+		32%

[1] Discount may only be applied to ISDN Primary Rate Service USOC "ZPG63" as described in 14.3.1, preceding.

[2] Discount may only be applied to ISDN Primary Rate Service USOC "ZPG65" as described in 14.3.1, preceding.

**Qwest Corporation d/b/a CenturyLink QC**  
**Exchange and Network**  
**Services Catalog No. 1**

**SECTION 15**  
Index Page 1  
Release 2  
Effective: 6-15-2013

**SOUTHERN IDAHO**  
Issued: 6-5-2013

**Idaho Public Utilities Commission**  
**Office of the Secretary**  
**ACCEPTED FOR FILING**  
**June 15, 2013**  
**Boise, Idaho**

**15. MISCELLANEOUS SWITCHED DIGITAL SERVICE OFFERINGS**

<b>SUBJECT</b>	<b>PAGE</b>
Digital Switched Service.....	1
Integrated T-1 Service.....	26
Uniform Access Solution Service.....	18

**15. MISCELLANEOUS SWITCHED DIGITAL SERVICE OFFERINGS**

**15.1 DIGITAL SWITCHED SERVICES (DSS)**

**A. Description**

Digital Switched Services (DSS) provides digital exchange service for PBX customers. DSS includes a DSS facility, common equipment, local exchange switching and trunks for access to the local exchange and toll networks. Each DSS facility utilizes 24 channels which may be configured as either basic or advanced trunks, as defined below, or a combination of both types of trunks.

**B. Definitions and Application of Services**

DSS Facility and Common Equipment

This element includes the digital DSS facility transmitting at a rate of 1.544 Mbit/s, and the common equipment necessary to interface each of the 24 channels into the CO switch. The DSS signal provided to the customer's premises will have a loss not greater than 16.5 dB.

DS3 Service

A channel for point-to-point, two-way, digital transmission at a rate of 44.736 Mbit/s. A maximum of 28 DSS facilities may be provisioned on DS3 Service.

Fiber Optic Facility

The DSS facility may be provided, at the customer's request, via a fiber optic facility between the Company's CO and the customer's premises.

Basic Trunks

• In-Only Trunk

One-way trunk which only allows traffic from the central office switch to be transmitted to the PBX.

• Out-Only Trunk

One-way trunk which only allows traffic originating in the PBX to be transmitted to the central office switch.

## 15. MISCELLANEOUS SWITCHED DIGITAL SERVICE OFFERINGS

### 15.1 DIGITAL SWITCHED SERVICES (DSS)

#### B. Definitions and Application of Services (Cont'd)

##### Advanced Trunks

- In-Only Trunk with DID

In-only trunk with Direct Inward Dialing (*DID*) feature. Requires a *DID* trunk circuit termination.

- Out-Only Trunk with Answer Supervision

Out-only trunk with answer supervision feature. This feature passes answer back signalling from the central office switch to the customer's PBX when a PBX call has been either completed or answered.

- Two-Way Trunk with DID and Answer Supervision

Two-way trunk with *DID* and answer supervision features. Requires a *DID* trunk circuit termination.

- Two-Way Data Trunk with DID

Two-way data trunk with *DID* at a transmission speed of 56 kbit/s. Requires a *DID* trunk circuit termination and hunting.

#### C. Terms and Conditions

1. DSS is provided subject to the availability of central office facilities.
2. The type of DSS facility installed will be determined by the Company. A fiber optic facility will be engineered if requested by the customer.
3. Each DSS facility enables the customer to install up to a maximum of 24 trunks per DSS facility. The customer is billed for the actual number and types of trunks in service on each DSS facility.
4. The minimum number of trunks per customer premises is six.



**15. MISCELLANEOUS SWITCHED DIGITAL SERVICE OFFERINGS**

**15.1 DIGITAL SWITCHED SERVICES (DSS)**

**C. Terms and Conditions (Cont'd)**

5. The minimum service period for the DSS facility and common equipment is one month.
6. The minimum service period for trunks is one month.
7. Terms, conditions, rates and charges, as described elsewhere apply as appropriate.
8. When 800 Service terminates on a DSS facility, the 800 Service access lines are classified as basic trunks for the application of DSS facility and common equipment rates and charges. 800 Service rates and charges specified in Section 7 also apply.
9. Any Exchange and Network Service or Private Line Transport Service is allowed on vacant DSS basic facility channels, with the exception of Switched Access Service and *SWITCHNET 56* Service.
10. Suspension of Service – Customer Initiated, is only available for trunks and only if all trunks within the facility are suspended. It is not available for the DSS facility and common equipment.
11. Loop Diversity and Avoidance defined in the Access Services Catalog is available with DSS.
  - a. Customers subscribing to Loop Diversity must also subscribe to additional DSS facilities, common equipment and trunks for the secondary route.
  - b. Customers subscribing to Avoidance must pay DS1 ICB transport channel rates between the local serving office and the alternate serving office.
12. The DSS facility and common equipment may be provided from a foreign central office or foreign exchange at the DS1 ICB transport channel rates. Associated charges will be applied to the DSS facility and common equipment and will not apply to the trunks.
13. Voice C-OS and Voice D-TL circuits, specified in the Access Services Catalog; and 56 kbit/s *DIGICOM I* Service, specified in the Private Line Service Catalog; are available with DSS on vacant DSS facility channels.

**15. MISCELLANEOUS SWITCHED DIGITAL SERVICE OFFERINGS**

**15.1 DIGITAL SWITCHED SERVICES (DSS)**

**C. Terms and Conditions (Cont'd)**

14. Customers are required to provide muxing/demuxing, at the customer premises, for trunks riding the DSS facility, if appropriate.
15. DSS offerings are not available for use by Commercial Mobile Radio Carriers, Private Mobile Radio Carriers, and Interexchange Carriers in the provision of services to their customers. Other digital services are offered by the Company for interconnection specifically for these Carriers.
16. The DSS facility and common equipment for all advanced trunks may be provisioned on an existing DS3 facility.
17. DSS may terminate at an Interexchange Carrier Point of Presence (IXC POP) for data service only, terminating on the Internet by an Internet Service Provider (ISP). Voice service may not terminate at the IXC POP.
18. Cancellation of Application For Service
  - a. A customer may cancel an order for the installation of service at any time prior to notification by the Company that service is available for the customer's use. The cancellation date is the date the Company receives written or verbal notice from the customer that the order is to be cancelled.
  - b. Certain Critical Dates as specified in c., following, are used by the Company to monitor the service order provisioning process. Cancellation charges are based on the estimated costs incurred by the Company at the time the order is cancelled. The Company monitors which Critical Date was last scheduled and determines what percentage of the Company's provisioning costs have been incurred as of that Critical Date. A list of Critical Dates and the number of days between each date is found in the Service Interval Guide.

Costs incurred in conjunction with the provision of Digital Switched Service start on the Application Date as defined in c., following. When the customer cancels an order prior to the Application Date, no charges shall apply. When the customer cancels an order on or after the Application Date, a charge determined as specified in d. and e., following shall apply. When a customer cancels an order or part of an order, on or after the original Service Date, the Cancellation Charge will apply as set forth in d., and e., following.

## 15. MISCELLANEOUS SWITCHED DIGITAL SERVICE OFFERINGS

### 15.1 DIGITAL SWITCHED SERVICES (DSS)

#### C.18. (Cont'd)

- c. The Critical Dates monitored by the Company for the purpose of calculating a Cancellation Charge are as follows:
- Application Date (APP): The date the customer provides a firm commitment and sufficient information to the Company for order placement. The APP Date is the date the Company enters the order into the Company's order distribution system(s). This is sometimes referred to as the order date.
  - Design Layout Report Date (DLRD): The date the Design Layout Report which contains the design for the service(s) ordered is forwarded to the customer.
  - Plant Test Date (PTD): The date acceptance testing is performed with the customer.
  - Service Date (DD): The date the service is due to be made available to the customer. This is sometimes referred to as the Due Date.
- d. When a customer cancels an order prior to the Service Date, the Company will multiply the Cancellation Charge, specified in D.2., following, by the percentage shown below, based on the last monitored Critical Date which has occurred on the order.
- e. The Critical Dates monitored by the Company are as follows:

	APP	DLRD	PTD	DD
	%	%	%	%
• Digital Switched Service	13	44	77	[1]

- f. When a customer cancels an order for the discontinuance of service, no charges apply for the cancellation.
- g. If the Company misses a service date due to circumstances over which it has direct control (excluding, e.g., acts of God, governmental requirements, work stoppages and civil commotions), the customer may cancel an order without incurring cancellation charges.

[1] Minimum billing period charges and Cancellation Charges apply when an order, or part of an order, is cancelled on or after the original Service Date.

**15. MISCELLANEOUS SWITCHED DIGITAL SERVICE OFFERINGS**

**15.1 DIGITAL SWITCHED SERVICES (DSS)**

C.18. (Cont'd)

- h. A request for cancellation after completion of an installation will be treated as a discontinuance of service.

D. Rates and Charges

1. DSS will be provided at the following rates and charges:

	<b>USOC</b>	<b>NONRECURRING CHARGE</b>	<b>MONTHLY RATE</b>
• Stand alone DSS facility and common equipment, per 24 channel facility			
- All basic trunks or a combination of basic and advanced trunks	D7W	\$1,100.00	\$285.00
- All advanced trunks	D7Z	1,100.00	150.00
• DSS facility and common equipment, provisioned on DS3 Service, per DSS facility activated			
- All advanced trunks	D3F	325.00	-
• Basic trunks with flat usage, each			
- In-only trunk, with hunting	T2D1X	72.00	30.50
- Out-only trunk	T2DOX	72.00	30.50
- Two-way trunk, with hunting	T2DCX	72.00	30.50

**15. MISCELLANEOUS SWITCHED DIGITAL SERVICE OFFERINGS**

**15.1 DIGITAL SWITCHED SERVICES (DSS)**

D.1. (Cont'd)

	<b>USOC</b>	<b>NONRECURRING CHARGE</b>	<b>MONTHLY RATE</b>
• Basic trunks with flat usage, each			
- In-only trunk, with hunting	T2D1X	\$72.00	\$30.50
- Out-only trunk	T2DOX	72.00	30.50
- Two-way trunk, with hunting	T2DCX	72.00	30.50
• Advanced trunks with flat usage, each			
- In-only trunk with <i>DID</i> and hunting[1]	T2J1X	72.00	23.50
- Out-only trunk with answer supervision	T2JOX	72.00	23.50
- Two-way trunk with <i>DID</i> , hunting and answer supervision[1]	T2JCX	72.00	23.50
- Two-way data trunk[1,2]	T2JCD	72.00	23.50

[1] Requires a *DID* trunk circuit termination. See 5.3.4, preceding, for terms, conditions, rates and charges applicable to Direct-Inward-Dialing (*DID*) Service.

[2] Hunting is required. Rates and charges specified in 5.4.11, preceding, apply.

**15. MISCELLANEOUS SWITCHED DIGITAL SERVICE OFFERINGS**

**15.1 DIGITAL SWITCHED SERVICES (DSS)**

**D. Rates and Charges (Cont'd)**

2. Nonrecurring charges apply as follows:

	<b>USOC</b>	<b>NONRECURRING CHARGE</b>
• Cancellation Charge	N/A	\$1,500.00
• DS1 Facility and Common Equipment Change Charge		
- Change system from all basic/combo channels to all advanced or vice versa	N/A	[1]
• Rollover Charge		
- Move existing DS1 to DS3 on vacant channels	N/A	325.00
• Signaling Design Change Charge	REALV	325.00
• Trunk Change Charges		
- All miscellaneous changes or rearrangements, of DSS trunks, per trunk	N/A	[1]
• Moving current customer T1 facility		
- Within same central office	N/A	500.00
- Outside current central office	N/A	1,000.00

[1] Same nonrecurring charges as for initial installation.

**15. MISCELLANEOUS SWITCHED DIGITAL SERVICE OFFERINGS**

**15.1 DIGITAL SWITCHED SERVICES (DSS)**

D. Rates and Charges (Cont'd)

3. Digital Switched Service Rate Stability Plan

- a. The Digital Switched Service Rate Stability Plan (RSP) is an optional payment arrangement, offered under contract between the Company and the customer. DSS RSP allows a customer to pay a guaranteed fixed monthly rate for the DSS facility and common equipment over a 1-year to 10-year period, and/or, receive stabilize monthly rates and/or discounted nonrecurring charges for DSS Basic Trunks and Advanced Trunks with *DID* over a 1-, 3-, 5- and 7-year period.
- b. If the terms of the Termination Liability/Waiver Policy are met, termination charges will not apply if the DSS facility and common equipment for all advanced trunks is moved to an existing DS3 facility. The Termination Liability/Waiver Policy is set forth in 2.2.14.D., preceding.
- c. Other nonrecurring charges, specified previously, may apply.
- d. Customers migrating from Analog PBX Trunk Service will receive one month credit when entering into a 1-year RSP, two month credit when entering into a 2-year RSP, three month credit when entering into a 3- or 5-year RSP, and a waiver of nonrecurring charges when entering into a 1-, 2-, 3- or 5-year RSP.

**15. MISCELLANEOUS SWITCHED DIGITAL SERVICE OFFERINGS**

**15.1 DIGITAL SWITCHED SERVICE (DSS)**

D.3. (Cont'd)

e. The following rates apply for rate stabilized DSS facility and common equipment.

	<b>USOC</b>	<b>NONRECURRING CHARGE</b>	<b>STABILIZED MONTHLY RATE</b>
DSS facility and common equipment, per 24 channel facility			
• 1 Year			
- Discounted DS1 with advanced trunks only[1]	D7ZDA	\$ 935.00	\$145.00
• 3 years			
- All basic trunks or a combination of basic and advanced trunks	D7W2X	1,100.00	265.00
- All advanced trunks	D7Z2X	1,100.00	126.90
- Discounted DS1 with basic trunks or a combination of basic and advanced trunks[1]	D7WD3	550.00	265.00
- Discounted DS1 with advanced trunks only[1]	D7ZD3	550.00	126.90
• 5 years			
- All basic trunks or a combination of basic and advanced trunks	D7W3X	1,100.00	245.00
- All advanced trunks	D7Z3X	1,100.00	109.98
- Discounted DS1 with basic trunks or a combination of basic and advanced trunks[1]	D7WD5	-	245.00
- Discounted DS1 with advanced trunks only[1]	D7ZD5	-	109.98

[1] Requires a 1-, 3-, 5- or 7-year contract for trunks in addition to this rate.



**15. MISCELLANEOUS SWITCHED DIGITAL SERVICE OFFERINGS**

**15.1 DIGITAL SWITCHED SERVICE (DSS)**

D.3.e. (Cont'd)

	<b>USOC</b>	<b>NONRECURRING CHARGE</b>	<b>STABILIZED MONTHLY RATE</b>
DSS facility and common equipment, per 24 channel facility			
• 7 years			
- All basic trunks or a combination of basic and advanced trunks	D7W4X	\$1,100.00	\$245.00
- All advanced trunks	D7Z4X	1,100.00	108.57
- Discounted DS1 with basic trunks or a combination of basic and advanced trunks[1]	D7WD7	–	245.00
- Discounted DS1 with advanced trunks only[1]	D7ZD7	–	108.57
• 10 years			
- All basic trunks or a combination of basic and advanced trunks	D7W5X	1,100.00	245.00
- All advanced trunks	D7Z5X	1,100.00	105.75
Discounted DSS facility and common equipment provisioned on DS3 Service, per DSS facility activated[1]			
• 1 year			
- All advanced trunks	D3FDA	325.00	–
• 3 years			
- All advanced trunks	D3FD3	325.00	–
• 5 years			
- All advanced trunks	D3FD5	–	–
• 7 years			
- All advanced trunks	D3FD7	–	–

[1] Requires a 1-, 3-, 5- or 7-year contract for trunks in addition to this rate.

**15. MISCELLANEOUS SWITCHED DIGITAL SERVICE OFFERINGS**

**15.1 DIGITAL SWITCHED SERVICES (DSS)**

D.3. (Cont'd)

- f. The following rates apply for all 1-year rate, 3-year to 10-year rate stabilized trunks under 96 (4 DSS DS1 Facilities). All rate stabilized trunks in quantities of 96 (4 DSS DS1 Facilities) or more, shall be priced on an Individual Case Basis.

	USOC	NONRECURRING CHARGE	STABILIZED MONTHLY RATE
(1) 1-Year Plan			
• Advanced trunks with flat usage, each[1,2]			
- In-only trunk with <i>DID</i>	TY411	\$103.70	\$71.27
- Out-only trunk with answer supervision	TY4O1	61.20	22.77
- Two-way trunk with <i>DID</i> and answer supervision	TY4C1	103.70	71.27
(2) 3-Year Plan			
• Basic trunks with flat usage, each[1]			
- In-only trunk	T5F13	36.00	28.95
- Out-only trunk	T5FO3	36.00	28.95
- Two-way trunk	T5FC3	36.00	28.95
• Advanced trunks with flat usage, each[1,2]			
- In-only trunk with <i>DID</i>	TY413	61.00	70.17
- Out-only trunk with answer supervision	TY4O3	36.00	23.17
- Two-way trunk with <i>DID</i> and answer supervision	TY4C3	61.00	70.17

[1] Requires a 1-, 3-, 5- or 7-year contract for the DS1 facility in addition to this rate.

[2] Separate *DID* Trunk Termination charges do not apply.

**15. MISCELLANEOUS SWITCHED DIGITAL SERVICE OFFERINGS**

**15.1 DIGITAL SWITCHED SERVICES (DSS)**

D.3.f. (Cont'd)

	USOC	NONRECURRING CHARGE	STABILIZED MONTHLY RATE
(3) 5-Year Plan			
• Basic trunks with flat usage, each[1]			
- In-only trunk	T5F15	-	\$28.03
- Out-only trunk	T5FO5	-	28.03
- Two-way trunk	T5FC5	-	28.03
• Advanced trunks with flat usage, each[1,2]			
- In-only trunk with <i>DID</i>	TY415	-	65.17
- Out-only trunk with answer supervision	TY4O5	-	23.17
- Two-way trunk with <i>DID</i> and answer supervision	TY4C5	-	65.17
(4) 7-Year Plan			
• Basic trunks with flat usage, each[1]			
- In-only trunk	T5F17	-	28.03
- Out-only trunk	T5FO7	-	28.03
- Two-way trunk	T5FC7	-	28.03
• Advanced trunks with flat usage, each[1,2]			
- In-only trunk with <i>DID</i>	TY417	-	65.13
- Out-only trunk with answer supervision	TY4O7	-	23.13
- Two-way trunk with <i>DID</i> and answer supervision	TY4C7	-	65.13

[1] Requires a 1-, 3-, 5- or 7-year contract for the DS1 facility in addition to this rate.

[2] Separate *DID* Trunk Termination charges do not apply.

**15. MISCELLANEOUS SWITCHED DIGITAL SERVICE OFFERINGS**

**15.1 DIGITAL SWITCHED SERVICES (DSS)**

D.3. (Cont'd)

- g. The following rates apply for a bulk rated, Advanced DSS service arrangement and are only available on a Rate Stabilized basis. The rate includes an Advanced DSS DS1 facility and common equipment, and 24 trunks provisioned as In-only with DID, Out-only or Two-way with DID.

	USOC	NONRECURRING CHARGE	STABILIZED MONTHLY RATE
• DSS DS1 facility and Common Equipment with 24 trunks			
- 1-Year Plan	4D1DU	-	\$825.00
- 2-Year Plan	4D1DV	-	625.00
- 3-Year Plan	4D1DM	-	600.00
- 5-Year Plan	4D1DN	-	575.00
• DSS DS1 facility and Common Equipment provisioned on a DS3 with 24 trunks			
- 1-Year Plan	4D1DW	-	825.00
- 2-Year Plan	4D1DX	-	600.00
- 3-Year Plan	4D1DO	-	575.00
- 5-Year Plan	4D1DP	-	550.00

NOTICE

THE INFORMATION CONTAINED IN THIS DOCUMENT IS SUBJECT TO CHANGE.

TRANSMITTAL NO. 13-02-SID

**15. MISCELLANEOUS SWITCHED DIGITAL SERVICE OFFERINGS**

**15.1 DIGITAL SWITCHED SERVICES (DSS)**

D. Rates and Charges (Cont'd)

4. Digital Switched Service Volume Discount Plan

- a. The Digital Switched Service Volume Discount Plan is available to customers subscribing to more than 50 DSS trunks at one premises on one customer billing number. The discounted rate, specified below, begins with the 51st DSS trunk at the same customer premises. Discounted trunks must be subscribed to by the same customer but the customer billing number may be different than the initial 50 trunks.
- b. Trunks other than DSS trunks, utilizing the DSS common equipment, will not be discounted.
- c. Rates and charges, specified in either D.1. or D.3., preceding, apply to the DSS facility and common equipment and are not part of the Volume Discount Plan.
- d. Rates and charges for 51 trunks and above:

	<b>USOC</b>	<b>NONRECURRING CHARGE</b>	<b>MONTHLY RATE</b>
• Basic trunks with flat usage, each			
- In-only trunk, with hunting	2LM1X	\$72.00	\$26.00
- Out-only trunk	2LM0X	72.00	26.00
- Two-way trunk, with hunting	2LMCX	72.00	26.00

**15. MISCELLANEOUS SWITCHED DIGITAL SERVICE OFFERINGS**

**15.1 DIGITAL SWITCHED SERVICES (DSS)**  
D.4.d. (Cont'd)

	<b>USOC</b>	<b>NONRECURRING CHARGE</b>	<b>MONTHLY RATE</b>
• Advanced trunks with flat usage, each			
- In-only with <i>DID</i> and hunting[1]	2LJ1X	\$72.00	\$20.05
- Out-only trunk with answer supervision	2LJ0X	72.00	20.05
- Two-way trunk with <i>DID</i> , hunting and answer supervision[1]	2LJCX	72.00	20.05
- Two-way data trunk[1,2]	2LJCD	72.00	20.05

[1] Requires a *DID* trunk circuit termination. See 5.3.4, preceding, for terms, conditions, rates and charges applicable to Direct-Inward-Dialing (*DID*) Service.

[2] Hunting is required. Rates and charges specified in 5.4.11, preceding, apply.

## **15. MISCELLANEOUS SWITCHED DIGITAL SERVICE OFFERINGS**

### **15.1 DIGITAL SWITCHED SERVICES (DSS) (Cont'd)**

#### **E. Termination Liability Policy**

Services provided via service agreements shall be subject to the Termination Liability Policy unless otherwise specified.

##### **1. Definitions**

###### Minimum Billing Level

When services are provided under a service agreement, a Minimum Billing Level will be established for use in calculating discontinuance charges. The Minimum Billing Level is 100% of the total monthly rates for the service provided under the customer's service agreement, unless otherwise specified.

###### Minimum Service Period

When services are provided under a service agreement, a Minimum Service Period may be established. This would be the period of time that the 100% factor of the Termination Liability Charge would apply.

##### **2. Complete Disconnect**

If the customer chooses to completely discontinue service, at any time during the term of the agreement, a termination charge will apply. The termination charge is 100% of the Minimum Service Period, if applicable, and 15% of the Minimum Billing Level for the remaining term of the agreement.

- For example, if the customer discontinues service after 17 months of a 3-year (36 month) agreement, the termination charge will be the Minimum Billing Level for the service multiplied by 15%, multiplied by 19 months.
- If the customer discontinues service after 6 months of a 3-year (36 month) agreement, with a 1-year (12 months) Minimum Service Period, the Termination Charge will be 100% of the Minimum Billing Level for the remaining 6 months of the Minimum Service Period plus 15% of the Minimum Billing Level multiplied by 24 months.

##### **3. Partial Disconnect**

If the customer discontinues a portion of their service, and that causes the customer's monthly billing level to fall below the Minimum Billing Level of the agreement, a termination charge will apply to the portion of the service agreement that is below the Minimum Billing Level.

**15. MISCELLANEOUS SWITCHED DIGITAL SERVICE OFFERINGS**

**15.3 UNIFORM ACCESS SOLUTION SERVICE**

A. Description

Uniform Access Solution (UAS) Service provides an arrangement that allows channels to function with one number per channel group. UAS includes a DS1 facility with common equipment and a network connection which provides switching for local exchange and toll network access. Each DS1 facility utilizes 1 through 24 channels configured with trunk-side termination and one number functionality.

B. Definitions

Channel Group

Denotes a set of channels that are traffic engineered as a unit for the establishment of connections between switching systems in which all of the communications paths are identical.

DS1 Facility and Common Equipment

The DS1 facility, transmits at a rate of 1.544 Mbit/s, and includes common equipment necessary to interface each of the channels into the CO switch. The DS1 signal provided to the customer's premises will have a loss not greater than 16.5 dB.

Network Connection

The network connection provides switching to the local exchange and toll networks, and includes the channel trunk-side configuration for the entire DS1 facility. The Network Connection can be ordered with in-only or two-way functionality.



**15. MISCELLANEOUS SWITCHED DIGITAL SERVICE OFFERINGS**

**15.3 UNIFORM ACCESS SOLUTION SERVICE (CONT'D)**

C. Terms and Conditions

1. The type of DS1 facility installed will be determined by the Company. A fiber optic facility will be engineered if requested by the customer.
2. The minimum service period for UAS is one month.
3. The following services will not be provided with UAS:
  - PBX trunks specified in 5.3, preceding
  - Feature groups A, B, C or D
  - Other private line/access services and facilities unless specified herein
  - Basic exchange enhancement
  - *SWITCHNET 56 Service*
4. Temporary suspension of service is not available.
5. Loop Diversity and Avoidance, defined in the Private Line Transport Services Catalog, is available.
  - a. Customers subscribing to Loop Diversity must also subscribe to additional UAS Service for the secondary route.
  - b. Customer subscribing to Avoidance must pay DS1 transport channel rates between the local serving office and the alternate serving office.

(D)

**15. MISCELLANEOUS SWITCHED DIGITAL SERVICE OFFERINGS**

**15.3 UNIFORM ACCESS SOLUTION SERVICE**

**C. Terms and Conditions (Cont'd)**

6. UAS Service may be provided on a Foreign Central Office basis.
7. UAS Service is not available for use by Commercial Mobile Radio Carriers and Private Mobile Radio Carriers in the provision of service to their customers, and Interexchange Carriers in the provision of access service to their customers. Other digital services are offered by the Company for interconnection specifically for these carriers.
8. UAS Service may be provisioned on an existing DS3 facility.
9. UAS Service Rate Stability Plan:
  - a. The UAS Service Rate Stability Plan is an optional payment arrangement, offered under contract between the Company and the customer, which allows customers to pay a guaranteed fixed monthly rate for UAS Service over a 1- to 10-year period. The Rate Stability Plan is subject to the terms of the Termination Liability/Waiver Policy set forth in 2.2.14, preceding.
  - b. If Waiver Policy conditions are met as specified in 2.2.14, preceding, termination charges will not apply if UAS Service is moved to an existing DS3 facility.
  - c. Customers migrating from Analog PBX Trunk Service will receive one month credit when entering into a 1-year RSP, two month credit when entering into a 2-year RSP, three month credit when entering into a 3- or 5-year RSP, and a waiver of nonrecurring charges when entering into a 1-, 2-, 3- or 5-year RSP.
10. UAS may terminate at an Interexchange Carrier Point of Presence (IXC POP) for data service only, terminating on the Internet by an Internet Service Provider (ISP). Voice service may not terminate at the IXC POP.

**15. MISCELLANEOUS SWITCHED DIGITAL SERVICE OFFERINGS**

**15.3 UNIFORM ACCESS SOLUTION SERVICE**

**C. Terms and Conditions (Cont'd)**

**11. Cancellation of Application For Service**

- a. A customer may cancel an order for the installation of service at any time prior to notification by the Company that service is available for the customer's use. The cancellation date is the date the Company receives written or verbal notice from the customer that the order is to be cancelled.
- b. Certain Critical Dates as specified in c., following, are used by the Company to monitor the service order provisioning process. Cancellation charges are based on the estimated costs incurred by the Company at the time the order is cancelled. The Company monitors which Critical Date was last scheduled and determines what percentage of the Company's provisioning costs have been incurred as of that Critical Date. A list of Critical Dates and the number of days between each date is found in the Service Interval Guide.

Costs incurred in conjunction with the provision of Uniform Access Solution Service start on the Application Date as defined in c., following. When the customer cancels an order prior to the Application Date, no charges shall apply. When the customer cancels an order on or after the Application Date, a charge determined as specified in d. and e., following shall apply. When a customer cancels an order or part of an order, on or after the original Service Date, the Cancellation Charge will apply as set forth in d., and e., following.

- c. The Critical Dates monitored by the Company for the purpose of calculating a Cancellation Charge are as follows:
  - Application Date (APP): The date the customer provides a firm commitment and sufficient information to the Company for order placement. The APP Date is the date the Company enters the order into the Company's order distribution system(s). This is sometimes referred to as the order date.
  - Design Layout Report Date (DLRD): The date the Design Layout Report which contains the design for the service(s) ordered is forwarded to the customer.
  - Plant Test Date (PTD): The date acceptance testing is performed with the customer.
  - Service Date (DD): The date the service is due to be made available to the customer. This is sometimes referred to as the Due Date.

**15. MISCELLANEOUS SWITCHED DIGITAL SERVICE OFFERINGS**

**15.3 UNIFORM ACCESS SOLUTION SERVICE**

C.11. (Cont'd)

- d. When a customer cancels an order prior to the Service Date, the Company will multiply the Cancellation Charge, specified in D., following, by the percentage shown below, based on the last monitored Critical Date which has occurred on the order.
- e. The Critical Dates monitored by the Company are as follows:

	<b>APP</b>	<b>DLRD</b>	<b>PTD</b>	<b>DD</b>
	<b>%</b>	<b>%</b>	<b>%</b>	<b>%</b>
• Uniform Access Solution Service	13	44	77	[1]

- f. When a customer cancels an order for the discontinuance of service, no charges apply for the cancellation.
- g. If the Company misses a service date due to circumstances over which it has direct control (excluding, e.g., acts of God, governmental requirements, work stoppages and civil commotions), the customer may cancel an order without incurring cancellation charges.
- h. A request for cancellation after completion of an installation will be treated as a discontinuance of service.

[1] Minimum billing period charges and Cancellation Charges apply when an order, or part of an order, is cancelled on or after the original Service Date.

**15. MISCELLANEOUS SWITCHED DIGITAL SERVICE OFFERINGS**

**15.3 UNIFORM ACCESS SOLUTION SERVICE (Cont'd)**

**D. Rates and Charges**

UAS Service will be provided at the following rates and charges. The following nonrecurring charge applies to add or change UAS Service. UAS DS1 facility and common equipment in quantities greater than 3 shall be priced on an Individual Case Basis.

	<b>USOC</b>	<b>NONRECURRING CHARGE</b>	<b>MONTHLY RATE</b>
• One DS1 facility with common equipment, per facility			
- Month to Month	D10XM	\$1,100.00	\$150.00
- Rate Stability Plan			
- 3 years	D10X3	1,100.00	126.90
- 5 years	D10X5	1,100.00	109.98
- 7 years	D10X7	1,100.00	108.57
- 10 years	D10XJ	1,100.00	105.75
• Discounted UAS DS1 facility with Common Equipment[1]			
- Rate Stability Plan			
- 3 years	D13X3	550.00	126.90
- 5 years	D13X5	—	109.98
• Discounted UAS DS1 facility with Common Equipment provisioned on a DS3[1]			
- Rate Stability Plan			
- 3 years	D3CX3	550.00	126.90
- 5 years	D3CX5	—	109.98
• One DS1 facility with common equipment provisioned on DS3 Service, per each DS1 facility activated[2]	D3O	1,100.00	—

[1] Requires a 3- or 5-year contract for a Network Connection in addition to this rate.

[2] Also requires a DS3 facility and multiplexing specified elsewhere.

**15. MISCELLANEOUS SWITCHED DIGITAL SERVICE OFFERINGS**

**15.3 UNIFORM ACCESS SOLUTION SERVICE**

**D. Rates and Charges (Cont'd)**

	<b>USOC</b>	<b>NONRECURRING CHARGE</b>	<b>MONTHLY RATE</b>
• UAS Network Connection, per DS1 facility	NWO	\$1,200.00	\$1,100.00
• Two-Way Network Connection, per DS1 facility	NWO2X	1,200.00	1,100.00
- Rate Stability Plan			
- 3 years	NWO23	600.00	1,100.00
- 5 years	NWO25	-	1,100.00
• In-Only Network Connection, per DS1 facility	NWO1X	1,200.00	950.00
- Rate Stability Plan			
- 3 years	NWO13	600.00	950.00
- 5 years	NWO15	-	950.00
• Moving current customer T1 facility			
- Within same central office	N/A	500.00	-
- Outside current central office	N/A	1,000.00	-
• Cancellation Charges	N/A	1,500.00	-

NOTICE

THE INFORMATION CONTAINED IN THIS DOCUMENT IS SUBJECT TO CHANGE.

TRANSMITTAL NO. 13-02-SID

**15. MISCELLANEOUS SWITCHED DIGITAL SERVICE OFFERINGS**

**15.3 UNIFORM ACCESS SOLUTION SERVICE**

**D. Rates and Charges (Cont'd)**

The following rates apply for a bulk rated, Uniform Access Solution (UAS) arrangement and are only available on a Rate Stabilized basis. The rate includes a DS1 facility and common equipment and 24 trunks provisioned as In-only with DID, or Two-way with DID.

	<b>USOC</b>	<b>NONRECURRING CHARGE</b>	<b>STABILIZED MONTHLY RATE</b>
• UAS DS1 facility and Common Equipment with 24 trunks.			
- 1-Year Plan	4D1FA	—	\$775.00
- 2-Year Plan	4D1FB	—	575.00
- 3-Year Plan	4D1ER	—	550.00
- 5-Year Plan	4D1ES	—	525.00
• UAS DS1 facility and Common Equipment provisioned on a DS3 with 24 trunks.			
- 1-Year Plan	4D1FC	—	775.00
- 2-Year Plan	4D1FD	—	550.00
- 3-Year Plan	4D1ET	—	525.00
- 5-Year Plan	4D1EU	—	500.00

## 15. MISCELLANEOUS SWITCHED DIGITAL SERVICE OFFERINGS

### 15.4 INTEGRATED T-1 SERVICE

#### A. Description

Integrated T-1 Service (IT1) provides a 1.544 mbps dedicated facility from the customer's premise to the Company serving wire center. IT1 includes a DS1 facility, common equipment, local exchange switching and 24 flat rated channels for access to the local exchange and toll networks. Each IT1 facility utilizes 24 channels which may be configured to provide the services as defined below, or a combination thereof.

#### B. Definitions

##### IT1 Facility and Common Equipment

This element includes the digital DS1 facility, transmitting at a rate of 1.544 mbps, and the common equipment necessary to interface each of the 24 channels into the Company's equipment.

##### Advanced Voice Channel

- In-Only Channel with *DID*

In-only channel with Direct Inward Dialing (*DID*) feature. Requires a *DID* channel circuit termination.[1]

- Out-Only Channel with Answer Supervision

Out-only channel with answer supervision feature. This feature passes answer back signaling from the central office switch to the customer's CPE when a call has been either completed or answered.

- Two-Way Channel with *DID* and Answer Supervision

Two-way channel with *DID* and answer supervision features. Requires a *DID* channel circuit termination.[1]

[1] Applicable rates and charges for *DID* are found in 5.3.4, preceding.



**15. MISCELLANEOUS SWITCHED DIGITAL SERVICE OFFERINGS**

**15.4 INTEGRATED T-1 SERVICE**

**B. Definitions (Cont'd)**

Basic Voice Channel

• In-Only Channel

One-way channel which only allows traffic from the central office switch to be transmitted to the CPE.

• Out-Only Channel

One-way channel which only allows traffic originating in the CPE to be transmitted to the central office switch.

• Two-Way Channel

Channel which allows for traffic to be transmitted from either the central office or the CPE.

## **15. MISCELLANEOUS SWITCHED DIGITAL SERVICE OFFERINGS**

### **15.4 INTEGRATED T-1 SERVICE**

#### **B. Definitions (Cont'd)**

##### Basic ISDN 2B+D Single Line Service

Basic ISDN 2B+D Single Line Service consists of two B (Bearer) channels and a D (Delta) channel. Basic ISDN 2B+D Single Line Service requires three sequential distinct channels on an IT1.

- B (Bearer) Channel

The B-channel transports circuit-switched voice and/or data communications at speeds up to 64 kbps, from the customer's premises to the central office via an IT1 facility.

- D (Delta) Channel

The D-channel carries signaling and/or packet data information at speeds up to 16 kbps on Basic ISDN 2B+D from the customer's premises to the central office. The D-channel has both data and signaling functionality; it does not have voice capability.

##### Basic Dedicated Digital Data Channel

Basic Dedicated Digital Data Channels are provided on an IT1 for 56 kbps or 64 kbps transmission of synchronous serial data. The actual bit rate is a function of the channel interface selected by the customer where applicable. The circuit provides a synchronous service, with timing provided by the Company through the Company's facilities, to the customer in the received bit stream. The Basic Dedicated Digital Data Channel as part of a DDS circuit is provided between customer-designated premises, between a customer-designated premises and a Company hub or designated digital wire center, or between Company hubs or designated digital wire centers.

##### Frame Relay Dedicated Digital Data Channel

Frame Relay Dedicated Digital Data Channel provides access to Frame Relay Service (FRS). Frame Relay Dedicated Digital Data channels are configured at 56 or 64 kbps speed. One or more Frame Relay Dedicated Digital Data channels can be aggregated to provide such access. Utilizing statistical multiplexing, FRS enables users to allocate circuit bandwidth to applications as needed, up to the maximum bandwidth purchased, rather than assigning fixed channels to specific applications.

## **15. MISCELLANEOUS SWITCHED DIGITAL SERVICE OFFERINGS**

### **15.4 INTEGRATED T-1 SERVICE (Cont'd)**

#### **C. Terms and Conditions**

1. IT1 is provided subject to the availability of Company facilities.
2. The type of IT1 facility installed will be determined by the Company.
3. Each IT1 facility enables the customer to configure up to a maximum of 24 channels per IT1 facility.
4. The minimum contract period for the IT1 facility and common equipment is one year. IT1 is only offered on 1,3 and 5 year contracts.
5. Business EAS rates apply as specified in 5.1.1, preceding.
6. Terms, conditions, rates and charges, as described in Section 5, apply as appropriate.
7. When 800 Service lines terminate on a IT1 facility, the 800 Service access lines are classified as basic voice channels for the application of the IT1 facility and common equipment rates and charges. 800 Service rates and charges also apply.
8. Customers are required to provide muxing/demuxing, at the customer premises, for channels riding the IT1 facility.
9. The customer or the customer's authorized agent will be responsible for the procurement of associated customer premises equipment (CPE) and will ensure compatibility with the IT1 service.
10. The customer is responsible for channel assignments transported on the IT1 facility.
11. IT1 offerings are not available for use by Private Land Mobile Radio Services (RMC) and Public Mobile Services (PMC) Carriers in the provision of services to their customers. Other digital services are offered by the Company for interconnection specifically for these Carriers.
12. The IT1 facility and common equipment may be provisioned on an existing DS3 facility.
13. The customer can obtain any standard features associated with ISDN as provided in 14.2.1, preceding.

#### **NOTICE**

THE INFORMATION CONTAINED IN THIS DOCUMENT IS SUBJECT TO CHANGE.

TRANSMITTAL NO. 13-02-SID

**15. MISCELLANEOUS SWITCHED DIGITAL SERVICE OFFERINGS**

**15.4 INTEGRATED T-1 SERVICE**

C. Terms and Conditions (Cont'd)

14. Single Line ISDN Service includes a comprehensive 2B+D package. Contained in the standard package are numerous voice and data features. The standard features and functions support two terminals per BRS. Within the standard package there is limited flexibility for customization and various optional features can be added. Single Line ISDN Service does not offer B-channel packet service capabilities.
15. The customer is responsible for placement, installation, operation, maintenance, repair and replacement of all inside wire (including riser cable), not owned by the Company, and CPE that the customer uses in connection with this service. Premises wiring and CPE must be compatible with the Company's provision of IT1 service.
16. If an IT1 service interruption, disconnection, error, performance failure, or some other out-of-service condition occurs the service will be restored within four hours after the customer gives the Company notice of such out-of-service condition, except for problems caused by the customer's actions, inside wiring, interface or CPE. ISDN channels have an eight hour repair commitment but this is the only exception. An out-of-service credit will be applied to the customer's bill if the IT1 is totally out of service. Credits do not apply to the individual channels. The credit for the IT1 service is not to exceed the monthly rate. If the outage is in excess of the guaranteed time frames the credit formula is as follows:
- |   |          |
|---|----------|
| - 4 hours up to but not including 8 hours   | \$ 60.00 |
| - 8 hours up to but not including 16 hours  | 70.00    |
| - 16 hours up to but not including 24 hours | 80.00    |
| - 24 hours and over                         | 100.00   |
17. Because of CPE selected by the customer or the customer's agent, some of the features offered may function differently, may not be available or may be required to be offered via an access code.
18. 2B+D ISDN Single Line Service Channels and Frame Relay Dedicated\_Digital Data Channels are available only from ISDN or Frame Relay equipped central offices.

**15. MISCELLANEOUS SWITCHED DIGITAL SERVICE OFFERINGS**

**15.4 INTEGRATED T-1 SERVICE**

**D. Indemnification**

1. It is the customer's responsibility to indemnify and hold harmless the Company against any and all claims, losses, liabilities, damages and lawsuits brought by any nonparty and arising, in whole or in part, out of customer's material breach of this Catalog. Indemnification shall include, but is not limited to, costs and attorney's fees.
2. Customer is responsible for the content of communications. Where customer's negligence or wrongful actions in using inside wire (including riser cable) not owned by the Company, CPE or customer's communications, result in any claim or legal action brought by any nonparty, the customer shall indemnify and hold the Company harmless.

**E. Protection of the Network**

1. The Company has the right and option to check the output of any equipment used in the transmission of signals, to or from the customer's premises, for this service. This includes Company provided facilities or other companies' facilities used in conjunction with provision of IT1 capabilities, such as CPE.
2. The Company will notify the customer of any deviation from the authorized transmissions or specifications established in provision of the service.
3. Upon notification by the Company that unauthorized transmissions are present due to customer equipment or facilities, the customer or customer's authorized agent will correct the situation on an expeditious basis or service will be disconnected by the Company to protect the network. The Company shall not be liable for and disclaims liability for losses which might be incurred as a result of disconnecting the service and disclaims any and all implied warranties, including, without limitation, warranties of merchantability and fitness for a particular purpose. With respect to such equipment or service, the Company shall not be liable for any incidental or consequential damages, including but not limited to loss, damage, or expense directly or indirectly arising from the customer's use of or inability to use this service or equipment, either separately or in combination with other services or equipment.

**15. MISCELLANEOUS SWITCHED DIGITAL SERVICE OFFERINGS**

**15.4 INTEGRATED T-1 SERVICE (Cont'd)**

F. Rates and Charges

1. IT1 will be provided at the following rates and charges:

a. Option A

Includes Basic or Advanced Voice Channel, Basic ISDN Single Line Service, Basic Dedicated Digital Data Channel, and Frame Relay Dedicated Digital Data Channel.

	<b>USOC</b>	<b>NONRECURRING CHARGE</b>	<b>CONTRACT RATE</b>
• 1 year plan	EH1D1	\$1,600.00	\$925.00
• 3 year plan	EH1D2	1,000.00	879.00
• 5 year plan	EH1D3	500.00	833.00

b. Option B

Includes up to 12 channels of Advanced Voice Channel with DID and up to 12 channels of Frame Relay Dedicated Digital Data access on the same DS1 circuit.

	<b>USOC</b>	<b>NONRECURRING CHARGE</b>	<b>CONTRACT RATE</b>
• 1 year plan	EH1B1	\$1,250.00	\$800.00

2. Nonrecurring change charges apply as follows:

	<b>USOC</b>	<b>NONRECURRING CHARGE</b>
• All miscellaneous changes or rearrangement of facilities - per IT1 facility	REALD	\$135.00
• Channel Change Charges - Miscellaneous changes, additions or rearrangements of any channels within the IT1, per channel changed	REALE	30.00

**Qwest Corporation d/b/a CenturyLink QC**  
**Exchange and Network**  
**Services Catalog No. 1**

**SECTION 115**

Index Page 1

Release 2

Effective: 6-15-2013

Idaho Public Utilities Commission

Office of the Secretary

**ACCEPTED FOR FILING**

June 15, 2013

Boise, Idaho

**SOUTHERN IDAHO**

Issued: 6-5-2013

---

**115. OBSOLETE MISCELLANEOUS SWITCHED DIGITAL SERVICE OFFERINGS**

<b>SUBJECT</b>	<b>PAGE</b>
<i>SWITCHNET</i> 56 Service.....	1

**115. OBSOLETE MISCELLANEOUS SWITCHED DIGITAL SERVICE OFFERINGS**

**115.2 SWITCHNET 56 SERVICE**

**A. Description**

Effective October 17, 2003, *SWITCHNET 56* Service is grandfathered. Existing customers using the service on a monthly basis may continue with the service for up to six months after a substitute service is available at which time *SWITCHNET 56* will be discontinued. The Company will continue to honor all *SWITCHNET 56* contractual agreements for the length of the existing contract. Additions, changes or moves of existing contracted customers will continue to be made where the required equipment and facilities are available.

*SWITCHNET 56* Service is a single-party, four-wire, conditioned service which is capable of switching and transmitting 56 kilobits per second of digital data. This service will allow for the transmission of 56 kilobits of data per circuit, both intraLATA and interLATA. This catalog addresses intraLATA. In addition, the *SWITCHNET 56* Service will be used in conjunction with Feature Group D to complete interLATA/interstate calling.

**B. Regulations**

1. *SWITCHNET 56* Service is furnished only in central office areas where adequate facilities are available. Central Offices will be equipped for this service based on customer demand and at the discretion of the Company.
2. *SWITCHNET 56* Service is a measured data access line service. The restriction against combining flat and measured service at the same location does not apply to *SWITCHNET 56* Service.
3. Usage for *SWITCHNET 56* Service is a bulk local summary statement on the customer's bill.
4. Operator handled calls cannot be completed on this service. Access to 911 and 411 is not available.
5. This service will be available to customers who are served from a central office that is compatible with the *SWITCHNET 56* central office equipment. Mileage rates and charges as specified in Section 7 of the Access Service Catalog will apply to customers who are served out of a serving central office that is not compatible for *SWITCHNET 56*.
6. This offering is provided subject to the availability of appropriate network facilities.

**NOTICE**

THE INFORMATION CONTAINED IN THIS DOCUMENT IS SUBJECT TO CHANGE.

TRANSMITTAL NO. 13-02-SID



**115. OBSOLETE MISCELLANEOUS SWITCHED DIGITAL SERVICE OFFERINGS**

**115.2 SWITCHNET 56 SERVICE**

**B. Regulations (Cont'd)**

7. *SWITCHNET 56* may be ordered on a month-to-month basis or under a fixed service agreement for periods of one, three or five years.

Note: Fixed period service agreement may be obtained in increments other than those mentioned above. Any increment longer than one of the above mentioned fixed periods but less than the next fixed period will be charged at the rate of the shorter fixed period.

Example of rates:

- 10 months requested = month-to-month rates
- 16 months requested = one year fixed period rate
- 40 months requested = three year fixed period rate
- 69 months requested (not exceeding 84 months) = five year period rate

**C. Payment Arrangements and Credit Allowances**

**1. Month-to-Month**

When service is provided on a month-to-month basis, the minimum period for which rates and charges are applicable is one month.

When service is discontinued prior to the expiration of the one month minimum period, a one month charge will apply at the rates in effect at the time service is discontinued.

Service provided under the non-stabilized month-to-month plan may be upgraded to fixed period plans at any time without the customer incurring any nonrecurring or discontinuance charges.

**115. OBSOLETE MISCELLANEOUS SWITCHED DIGITAL SERVICE OFFERINGS**

**115.2 SWITCHNET 56 SERVICE**

**C. Payment Arrangements and Credit Allowances (Cont'd)**

**2. Fixed Period**

Fixed period service agreements allow the customer to order service with the assurance that during the period of the service agreement, monthly rates for the *SWITCHNET 56* line and usage will not exceed the levels in effect at the time the service is ordered.

The customer must specify the length of the fixed period service at the time the service is ordered.

At the end of the fixed service period, the customer may negotiate a new fixed period service agreement, convert to month-to-month service or may terminate service. The monthly rates will be those rates in effect at the time the new service period begins. Should the customer not make a choice by the end of a fixed service agreement, service rates will automatically revert to those in effect for the month-to-month option. If service is continued under any of the pricing plans, including non-stabilized month-to-month, nonrecurring charges will not apply.

If a rate decrease occurs during a customer's fixed service period, the reduced rates will automatically be applied to the remaining term of the service agreement in effect at that time.

The Fixed Period service agreement is subject to the terms of the Termination Liability/Waiver Policy set forth in 2.2.14.D., preceding.

**Qwest Corporation d/b/a CenturyLink QC**

**Exchange and Network  
Services Catalog No. 1**

**SECTION 115**

Page 4

Release 2

Effective: 6-15-2013

Idaho Public Utilities Commission

Office of the Secretary  
**ACCEPTED FOR FILING**

June 15, 2013

Boise, Idaho

SOUTHERN IDAHO

Issued: 6-5-2013

**115. OBSOLETE MISCELLANEOUS SWITCHED DIGITAL SERVICE OFFERINGS**

**115.2 SWITCHNET 56 SERVICE (Cont'd)**

D. Rates and Charges

SWITCHNET 56 Service has three rate elements; a nonrecurring charge, a monthly rate and usage charge that applies for all minutes of local use. Other intraLATA usage is based on Qwest Corporation's intraLATA toll rates.

	USOC	NONRECURRING CHARGE	MONTHLY RATE
• SWITCHNET 56 Service, per 56 Kbps line			
- Month-to-Month	SM6	\$460.00	\$58.00
- 1 Year Contract	SZ1	460.00	52.00
- 3 Year Contract	SZ3	460.00	47.00
- 5 Year Contract	SZ5	460.00	42.00
			<b>CHARGE</b>
- Usage, per minute			\$0.03

NOTICE

THE INFORMATION CONTAINED IN THIS DOCUMENT IS SUBJECT TO CHANGE.

TRANSMITTAL NO. 13-02-SID

**Qwest Corporation d/b/a CenturyLink QC**

**Exchange and Network  
Services Catalog No. 1**

**SECTION 17**  
Index Page 1

Release 3

**SOUTHERN IDAHO**

Issued: 11-04-14

Effective: 11-14-14

**Idaho Public Utilities Commission**

**Office of the Secretary**

**ACCEPTED FOR FILING**

**November 14, 2014**

**Boise, Idaho**

---

**17. MISCELLANEOUS SWITCHED DIGITAL SERVICE OFFERINGS**

**17.1 RESERVED FOR FUTURE USE**

(D)(T)

**[1] Section 17 is cancelled in its entirety.**

(N)

NOTICE  
THE INFORMATION CONTAINED IN THIS DOCUMENT IS SUBJECT TO CHANGE.  
TRANSMITTAL NO. 14-11-SID

**Qwest Corporation d/b/a CenturyLink QC**

**Exchange and Network  
Services Catalog No. 1**

**SECTION 20**

Index Page 1

Release 3[1]

Effective: 6-15-2013

Idaho Public Utilities Commission (6)

Office of the Secretary  
**ACCEPTED FOR FILING**

June 15, 2013

Boise, Idaho

**SOUTHERN IDAHO**

Issued: 6-5-2013

---

**20. RESERVED FOR FUTURE USE**

**SUBJECT**

**PAGE**

[1] Section 20 was previously canceled in its entirety.